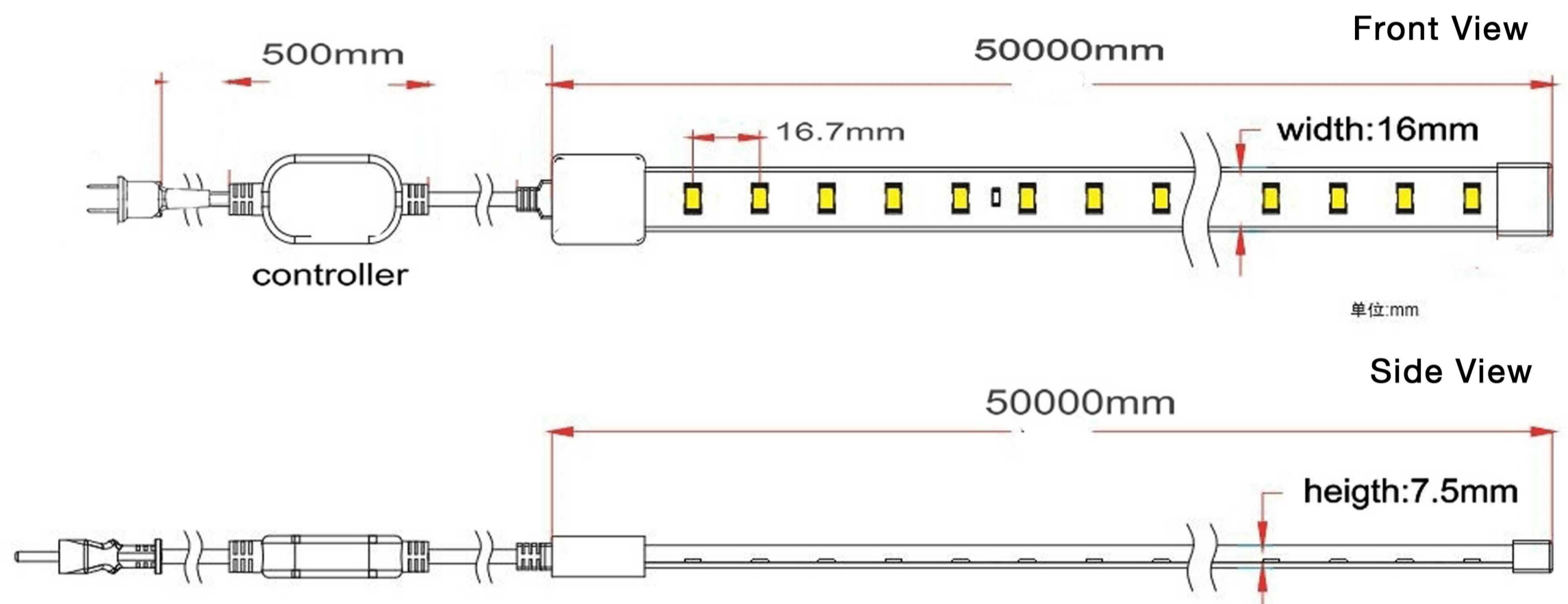


MODEL SL-RGB 50M

Description

- Roll Size Available: 50M
- Voltage: 110-130V AC
- Watts: 10 watts per Meter
- Light Source: 5050 SMD
- Size Dimensions: 7.5mm(H)x15(W)mm
- 0.5 cut mark/ unit
- IP67
- Dimmable: yes
- Warranty: 2 years



Accessories **SOLD** Separately:



REMOTE50M-SLRGB



REMOTE25M-SLRGB



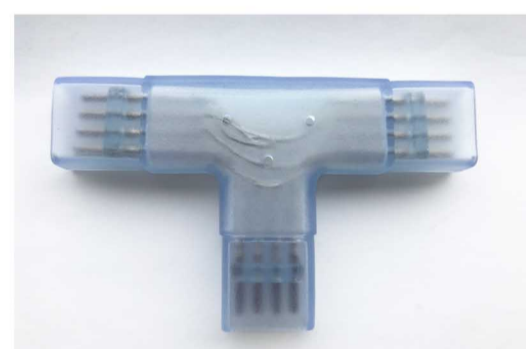
RGB50M-END CAP



SL50M-CLIPS
(50PC/pack)



RGB50M-CONN(L)



RGB50M-CONN(T)



RGB50M-CONN
(Straight)

Reference	QTY.	Remarks	Project:
			Location:
			Architect:
			Engineer:
			Contractor:
			Submitted by:
			Date:

