

Albeo® LED Luminaires

ABV3 series | LED High Bay Lighting



CUSTOMER NAME _____

Project Name _____

Date _____ Type _____

Catalog Number _____

The Albeo® ABV3 LED luminaire is an exceptional mixture of value and performance. Ideal for high bay and low bay applications in industrial and commercial buildings. Designed to replace 150W-1500W HID and four-to eight-lamp T5/T8 fixtures with unmatched reliability and quality. Now with integral Daintree sensors and controls. See optic **3T** for aisle distribution!

CONSTRUCTION

Housing:	Combination steel and aluminum
Lens:	Polycarbonate diffused, acrylic clear
Paint:	Powder coat painted housing No glass in housing or lenses
Weight:	10-11 lbs (4.55-4.99 kg) per module (see dimensional drawings)
Optical Assembly:	Polycarbonate reflective optics with optional lens

OPTICAL SYSTEM

Lumens:	9,000 - 90,000
Distribution:	120°, 90°, 55°, 30°, diffused, textured & clear lens options. Aisle Distribution available (option 3T)
Efficacy:	Up to 200 LPW
CCT:	3000K, 3500K, 4000K, 5000K
CRI:	70, 80 & 90

ELECTRICAL

Input Voltage:	120V-277V, 347V, & 480V
Input Frequency:	50/60Hz
Power Factor (PF)*:	>0.9*
Total Harmonic Distortion (THD)*:	<20%*
EMI:	FCC CFR Title 47 Part 15, Class A
Surge Protection:	<ul style="list-style-type: none"> 120-277V: 3kV surge protection, standard 347-480V: 6kV surge protection, standard For increased surge protection please contact manufacturer
LED Driver Type:	<ul style="list-style-type: none"> All 347-480V SKUs: Class 1, 6kV surge All 120-277V SKUs: Class 1, 3kV surge

* PF and THD may vary with options

CONTROLS

Dimming:	Standard 0-10VDC, 10%
Sensors:	Occupancy and Ambient Light Detection with Dimming available; Wireless Daintree® Networked options available

LUMEN AMBIENT TEMPERATURE

TYPE	TEMPERATURE RATE
OPERATING TEMPERATURE	-30°C to +55°C (-22°F to 131°F)
STORAGE TEMPERATURE	-40°C to +70°C (-40°F to 158°F)

LUMEN MAINTENANCE

TM-21 LED Lumen Maintenance Data:

ESTIMATED LXX(10K) @ HRS 250,000 HR AT 25°C	REPORTED LXX(10K) @ HRS 65,000 HR AT 25°C	LXX(10K) @ HOURS 100,000 HR AT 55°C
L70	L90	L70

MOUNTING & ACCESSORIES

- Typical Mounting:**
 - Standard Chain/Cable mount ready
 - Threaded rod kit & Surface mount optional
 - Pendant mount kit optional
- Typical Mounting:**
 - Standard Chain/Cable mount ready
 - Rod Inverted Mounting option, see pg. 4
- Cord & Plugs:**
 - Standard = knockout access (no cord, no plug) 6 ft, 12 ft, 15 ft, 20 ft cord options
 - 15A, 20A, Straight or twist lock plug- Plugs A, B, C, or D
 - Reloc OCS Cord-Plug FS or GS
 - Plug-N-Go Cord-Plug MF or HF
- Wire Guard Option Available**
- Integral and Accessory EMBB Options Available**

DESIGN LIFE & WARRANTY

- UL 1598 Suitable for Damp Locations
- Safety: UL/cUL Listed
- Packaging: Standard job pack contain 7-21 fixtures. Orders of < 14 are typically single pack. 90T & 90H are bulk pack only.
- Current's Limited 5-year Warranty:** Please refer to **IND599** in Product Downloads section at: <https://products.gecurrent.com>

Albeo® LED Luminaires

ABV3 series | LED High Bay Lighting

Ordering Information

CUSTOMER NAME

Project Name _____

Date _____ Type _____

Catalog Number _____

Ordering Information :

ABV3

PRODUCT ID	VOLTAGE ¹	LUMEN OUTPUT	PERFORMANCE LEVEL	CCT/CRI	OPTICS/LENS	CONTROLS	MOUNTING	CORD ⁸	PLUG ⁹	FINISH	OPTIONS
ABV3 = Albeo® Highbay ABV 3 rd Gen	0 = 120-277 1 = 120 2 = 208 3 = 240 4 = 277 5 = 480 D = 347	09 = 9,000lm 12 = 12,000lm 15 = 15,000lm 18 = 18,000lm 24 = 24,000lm 30 = 30,000lm 36 = 36,000lm 48 = 48,000lm 60 = 60,000lm 90 = 90,000lm	T = Standard Efficiency H = High Performance	70 Plus CRI 47 = 4000k 57 = 5000k 80 Plus CRI 38 = 3500k C8 = 3500k 48 = 4000k 58 = 5000k 90 Plus CRI C9 = 3500k 49 = 4000k	Open Optic: Max. Efficiency 1Q = 120° No Lens 9Q = 90° No Lens Clear Lens: Moderate Glare Reduction 1C = 120° Clear 9C = 90° Clear 5C = 55° Clear 3C = 30° Clear WC = Wide Parking Garage Optic Diffused Lens: Max. Glare Reduction 1D = 120° Diffused 9D = 90° Diffused 5T = 55° Textured Diffused 3T = 30° Textured Diffused (AISLE)	QQ = Dimming leads not externally accessible QV ² = 0-10V Dimming Daintree® Networked: NA = Occupancy & Ambient Light Sensor, w/ Continuous Dimming (full feature) TQ ³ = Wireless Daintree® Enabled (no sensor) Daintree® EZ Connect¹⁵: DF = Occupancy & Ambient light sensor w/ Continuous Dimming Daintree® One¹⁶: FB = Occupancy & Ambient Light Sensor with Continuous Dimming Daintree® One Custom Options¹⁶: FF = Occupancy w/ Continuous Dimming FH = Occupancy On/Off FK = Ambient Light Sensor w/ Continuous Dimming FM ⁴ = Ambient Light Sensor On/Off 3rd Party Options: AQ ⁵ = Occupancy Sensor On/Off 360° LSXR, No External Wiring BQ ⁵ = Occupancy Sensor Continuous Dimming 360° LSXR PQ ⁵ = Daylight Sensor w/occupancy On/Off LSXR, No External Wiring, Full Featured 2Q ⁶ = Motion Sensor w/Daylight, High-Low Dimming FSP-211, and IR Remote Adjustable (IR remote sold separately to modify default settings) ¹⁷	ST = Standard (no hardware included) 22 = 1/2" Threaded rod mount kit (Rod and nuts not included) SM = Surface Mount (Hardware not included) 23 = 3/4" Pendant Mount Kit (3/4" Conduit not included) 41 = Y-Cable/ Hook 5ft. 42 = Y-Cable/ Hook 10ft. 43 = Y-Cable/ Hook 15ft. 44 = Y-Cable/ Hook 20ft.	K = Knockout A = 6ft. 18ga Black cord B = 12ft. 18ga Black cord C = 15ft. 18ga Black cord D = 20ft. 18ga Black cord	Q = None A = 15A Straight Plug B = 20A Straight Plug C = 15A Twist Lock Plug D = 20A Twist Lock Plug	W = White Powder Coat K ¹² = Black Powder Coat E = Emergency Orange Powder Coat	Blank = No Special Options 1PK ¹³ = Single Pack for distributor stocking. Default is Job Pack (7-21). EL ¹⁴ = 120° Battery Backup EL5 ¹⁴ = 50° Battery Backup ZL1 = WHS20 Low Lens (2.5m or 8ft) ZL2 = WHS20 Medium Lens (6m or 20ft) ZLX = WHS20 Aisle Mask
							UP = Standard Inverted Mount 61 ⁷ = Inverted Mount Y-Cable/ Hook 5ft. 62 ⁷ = Inverted Mount Y-Cable/ Hook 10ft. 63 ⁷ = Inverted Mount Y-Cable/ Hook 15ft. 64 ⁷ = Inverted Mount Y-Cable/ Hook 20ft.	Specialty Modular Cord Sets: FS ¹⁰ = Reloc OCS - 10ft. 18ga White Cord GS ¹⁰ = Reloc OCS - 15ft. 18ga White Cord MF ¹⁰ = Plug-N-Go - 3ft. 18ga Black Cord HF ¹⁰ = Plug-N-Go - 3ft. 18ga Black Cord LE ¹¹ = ACS - MC Flex3 + 10ft 2EA 10-LW 277/480 #16AWG NE ¹¹ = ACS - MC Flex3 + 12ft 2EA 12-LW 277/480 #16AWG			

ORDERING NOTES:

- Specify single voltage if plug, LSXR sensor, or 'TQ' wireless control > 24,000lms needed
- Contact factory if 5-conductor cord is needed
- T Wireless Control (no sensor) must use Discrete Voltage for all Lumen packages over 24,000lm
- 40ft (12m) height, WHR1 IR Remote 93131632
- 15-45ft (4.6-13.7m) mounting heights
- Sensors not compatible with 90T or 90H lumen code due to height limitation of sensor
- Inverted options may not be ordered with sensor or 'K' (black) finish
- 3-conductor cords. Dimming leads separate if controls option QV is selected. Contact factory if 5-conductor cord is needed.
- 3-conductor cords. Dimming leads separate if controls option QV is selected. Contact factory if 5-conductor cord is needed.
- Must Specify discrete voltage
- Available with Voltage 4 or 5 only
- Not available for inverted mount (UP, 61, 62, 63, 64). If sensor is ordered, please contact factory. Not compatible with EL1 or EL5 options.
- Not Available for 90T & 90H.
- Battery Backup not available for 347V/480V Option requires additional wiring in the field. See installation instructions. Not compatible with 'K' finish. Contact factory if cord is required. See ALB030 for wiring diagrams.
- Ambient light detection functionality must be turned on in the Daintree EZ Connect app.
- Daintree One devices can be customized and programmed with WHR1 remote.
- 2Q devices can be programmed with FSP remote (SHU# 93076263)

NOTE:

- See WHS20 spec sheet for default program parameters and occupancy detection patterns.
- Daintree Wireless Controls can be upgraded over time for greater functionality.
 - WHR1 Remote PN: 93131632
 - Daintree EZ Connect App can be downloaded on the Apple® App Store.
 - 40ft (12m) mounting height.

Albeo® LED Luminaires

ABV3 series | LED High Bay Lighting

Ordering Information

CUSTOMER NAME

Project Name _____

Date _____ Type _____

Catalog Number _____

70 CRI @ 4000K OR 5000K CCT						
LUMEN PACKAGE	OUTPUT LEVEL	TYPICAL DELIVERED LUMENS	TYPICAL POWER		TYPICAL LPW 120-277V	MODULE BODY
			120-277V	347/480V		
09	T	9,000	50	52	180	1S
09	H	9,000	46	48	196	1S
12	T	11,900	68	70	175	1S
12	H	11,900	61	63	195	1S
15	T	15,200	92	93	165	1S
15	H	15,200	81	82	188	1S
18	T	17,600	109	110	161	1S
18	H	17,600	88	91	200	1D
24	T	23,400	137	139	171	1D
24	H	23,400	122	124	192	1D
30	T	30,400	184	185	165	2S
30	H	30,500	163	164	187	2S
36	T	35,500	221	222	160	2S
36	H	35,500	190	194	187	2S
48	T	47,400	284	291	167	3S
48	H	47,400	248	257	191	3S
60	T	58,500	360	367	163	2D
60	H	58,500	314	323	186	2D
90	T	87,700	554	554	158	3D
90	H	87,700	483	486	182	3D

OPTIC CODE	OPTIC DESCRIPTION	OUTPUT
1Q	120° No Lens	100%
9Q	90° No Lens	98%
1C	120° Clear Lens	98%
9C	90° Clear Lens	96%
5C	55° Clear Lens	96%
3C	30° Clear Lens	97%
1D	120° Diffused Lens	93%
9D	90° Diffused Lens	91%
5T	55° Textured Diffused Lens	94%
3T	30° Textured Diffused Lens	95%
WC	Wide Parking Garage Optic	94%

CRI	CCT	LUMEN PACKAGE OUTPUT	
		T OUTPUT	H OUTPUT
70	5000	100%	100%
	4000	100%	100%
80	5000	95%	98%
	4000	92%	92%
	3500	90%	92%
90	3000	87%	92%
	3500	79%	78%
	4000	81%	79%

*All packages are 55°C rated with the exception of 60T & 90T which is 45°C ambient max rated

Albeo® LED Luminaires

ABV3 series | LED High Bay Lighting

Mounting & Accessory Options

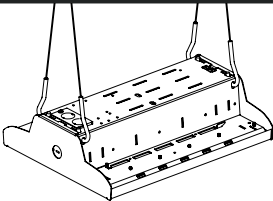
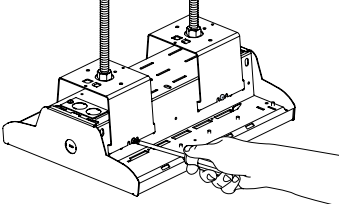
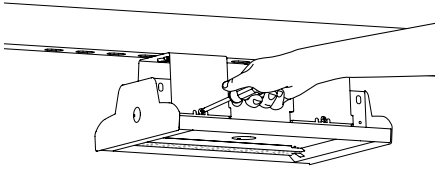
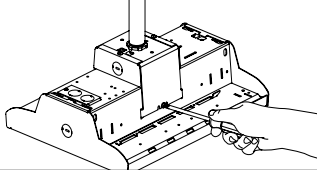
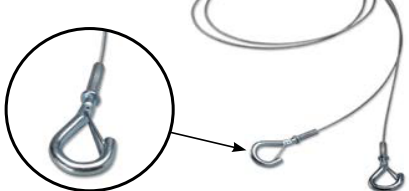
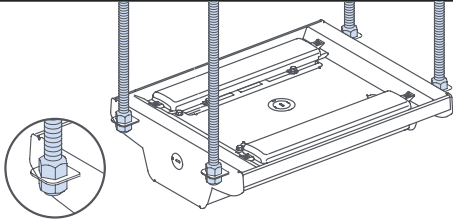
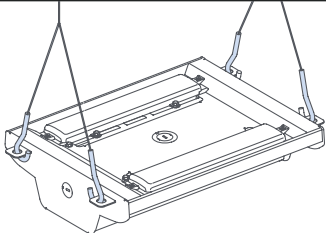
CUSTOMER NAME

Project Name _____

Date _____ Type _____

Catalog Number _____

MOUNTING AND ACCESSORIES:

MOUNTING OPTIONS	IMAGE	ORDER LOGIC CODE	AFTERMARKET ORDER LOGIC
<p>Standard Chain/ Cable Mount</p> <p>Available on all fixture configurations (chain not included). Y-Cable w/hook can be ordered as an accessory.</p>		<p>ST = Standard (No chain or mounting hardware included)</p>	<p>Aftermarket: NA</p>
<p>Rod Mount (optional)</p> <p>Available on all fixture configurations. Attaches to 1/2" threaded rod (rod and nuts not included).</p>		<p>22 = 1/2" Threaded Rod Kit</p>	<p>SKU: 93120346 Description: 1/2" Surface Mounting Kit</p> <p>NOTE: Kit included two (2) brackets.</p>
<p>Surface Mount (optional)</p> <p>Available on all fixture configurations. Attaches to structural member in ceiling. (Hardware not included.)</p>		<p>SM = Surface Mount</p>	
<p>Pendant Mount (optional)</p> <p>Available on all fixture configurations. Attaches to 3/4" threaded conduit (conduit not included).</p>		<p>23 = 3/4" Pendant Mount Kit</p>	<p>SKU: 93120347 Description: 3/4" Pendant Mounting Kit</p>
<p>Y-Cable w/hook (optional)</p> <p>Use with Standard Mounting Option only. Order separately. Price adder per pair. 5 ft., 10 ft., 15 ft., 20 ft. lengths available.</p>			<p>(41) Y-Cable/Hook 5ft: 93075756 (42)</p> <p>Y-Cable/Hook 10ft: 93075552</p> <p>(43) Y-Cable/Hook 15ft: 93075553</p> <p>(44) Y-Cable/Hook 20ft: 93075554</p>
<p>Standard Inverted Mount</p> <p>Available on all fixture configurations. Attaches to 3/8" threaded rod (rod not included)</p>		<p>UP = Standard Inverted Mount</p>	<p>Aftermarket: NA</p> <p>NOTE: Dimensions center hole to center hole of inverted mount are: Single-Wide (1S, 2S, 3S housings): Width 7.4" Double-Wide (1D, 2D, 3D housings): Width 12.06" Lengths: 14.87" (1S/1D), 28.42" (2S, 2D), 41.97" (3S, 3D)</p>
<p>Inverted Y- Cable Mount</p>		<p>61 = Inverted Mount Y-Cable/ Hook 5ft 62 = Inverted Mount Y-Cable/ Hook 10ft 63 = Inverted Mount Y-Cable/ Hook 15ft 64 = Inverted Mount Y-Cable/ Hook 20ft</p>	<p>Aftermarket: NA</p> <p>NOTE: Dimensions center hole to center hole of inverted mount are: Single-Wide (1S, 2S, 3S housings): Width 7.4" Double-Wide (1D, 2D, 3D housings): Width 12.06" Lengths: 14.87" (1S/1D), 28.42" (2S, 2D), 41.97" (3S, 3D)"</p>

Albeo® LED Luminaires

ABV3 series | LED High Bay Lighting

Accessory & Renewal Parts

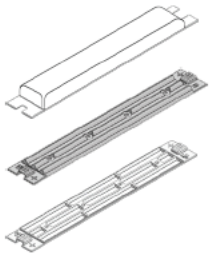
CUSTOMER NAME

Project Name _____

Date _____ Type _____

Catalog Number _____

REPLACEMENT LENSES & OPTICS:



ORDERING SKU	ORDERING CAT# LOGIC	FIXTURE CAT# LOGIC	DESCRIPTION
93075866	ABV3 D Lens Kit	1D or 9D	Diffused Lens Only (2 Lenses) *does not change beam angle
93075867	ABV3 C Lens Kit	1C or 9C	Clear Lens Only (2 Lenses) *does not change beam angle
93146208	ABV3 WC Wide Parking Garage Optic	WC	WC Lens (10 Lenses)
93075988	ABV3 9 Reflector Optic Kit	9C or 9D	90 Degree Optic (2 White Reflectors)
93075989	ABV3 1 Reflector Optic Kit	1C or 1D	120 Degree Optic (2 White Reflectors)
93117671	ABV3 5T Optic Kit	5T	Textured Diffused 55 degree Optic (2 Refractors)
93075991	ABV3 5C Optic Kit	5C	Clear 55 Degree Optic (2 Refractors)
93117672	ABV3 3T Optic Kit	3T	Textured Diffused 30 Degree Optic (2 Refractors)
93075993	ABV3 3C Optic Kit	3C	Clear 30 Degree Optic (2 Refractors)

Check fixture images on pg. 1 to determine how many optics are needed based on housing type.

Example: 60T lumen code = '2D' housing = 8 lenses and/or optics needed = 4 kits

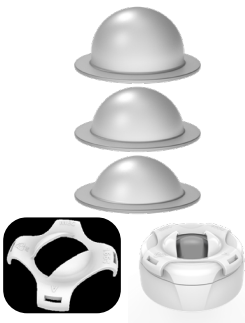
WIRE GUARDS:



ORDERING SKU	ORDERING CAT# LOGIC	FIXTURE CAT# LOGIC	DESCRIPTION
93077600	WG ABV3 1S WT	9T, 9H, 12T, 12H, 15T, 15H, 18T	1S Wire Guard White Painted - 5pk
93077666	WG ABV3 1D WT	18H, 24T, 24H	1D Wire Guard White Painted - 5pk
93077602	WG ABV3 2S WT	30T, 30H, 36T, 36H	2S Wire Guard White Painted - 5pk
93077604	WG ABV3 3S WT	48T, 48H	3S Wire Guard White Painted - 5pk
93077668	WG ABV3 2D WT	60T, 60H	2D Wire Guard White Painted - 5pk

*Wire Guards Kits come in packs of 5pcs

FIELD SWAPPABLE WHS20 SENSOR ACCESSORIES:



ORDERING SKU	ORDERING CAT# LOGIC	DESCRIPTION	QTY
93134998	WHS20_LOW_LENS_KIT	Low Lens: 2.5m (8ft)	1
93134999	WHS20_LOW_LENS_KIT_10		10
93135000	WHS20_MED_LENS_KIT	Med Lens: 6m (20ft)	1
93135001	WHS20_MED_LENS_KIT_10		10
93135002	WHS20_HIGH_LENS_KIT	High Lens: 12m (40ft)	1
93135003	WHS20_HIGH_LENS_KIT_10		10
93134984	WHS20_SNAP_AISLE_MASK_KIT	Snap On Aisle Mask	1
93134985	WHS20_SNAP_AISLE_MASK_KIT_10		10

NOTE: See WHS20 spec sheet for Occupancy Detection Patterns

Default lens is High (12m). For field-installed lenses see ZL1, ZL2, or ZLX option codes in cat logic

STANDALONE EMBB:



ORDERING SKU	ORDERING CAT# LOGIC	DESCRIPTION
93059499	ASM2430	50° beam 1750 lm
93059500	ASM2429	120° beam 1650 lm

NOTE: Order as field installed aftermarket or standalone solution for emergency lighting. 2lbs

Albeo[®] LED Luminaires

ABV3 series | LED High Bay Lighting

Product Dimensions

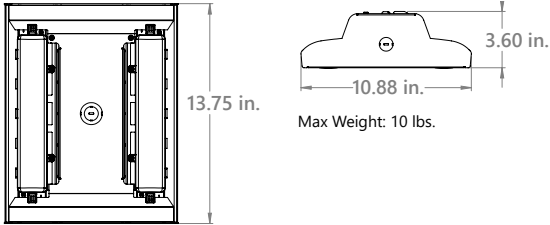
CUSTOMER NAME

Project Name _____

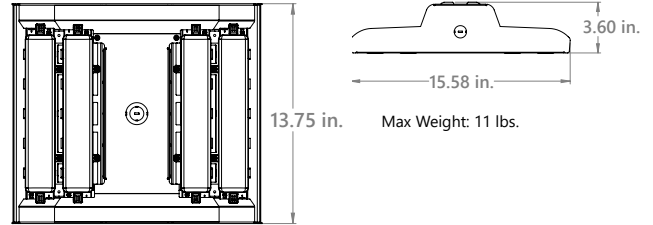
Date _____ Type _____

Catalog Number _____

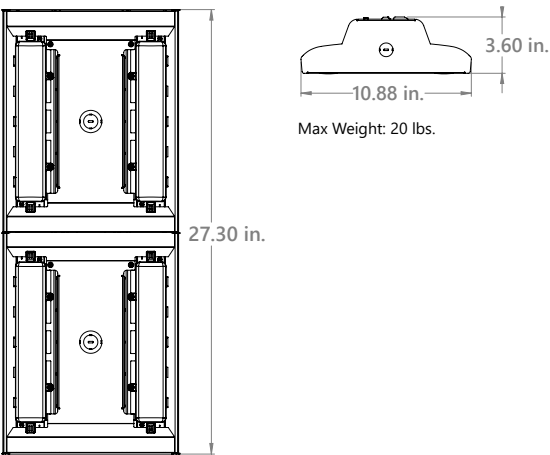
1S - MODULE - 9T, 9H, 12T, 12H, 15T & 18T OUTPUT



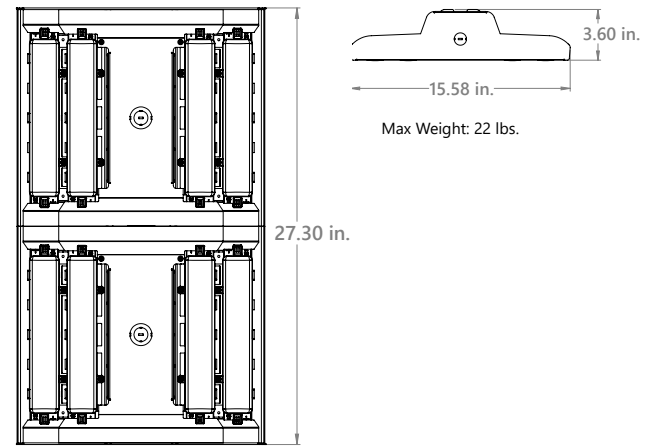
1D - MODULE - 15H, 18H, 24T, & 24H OUTPUT



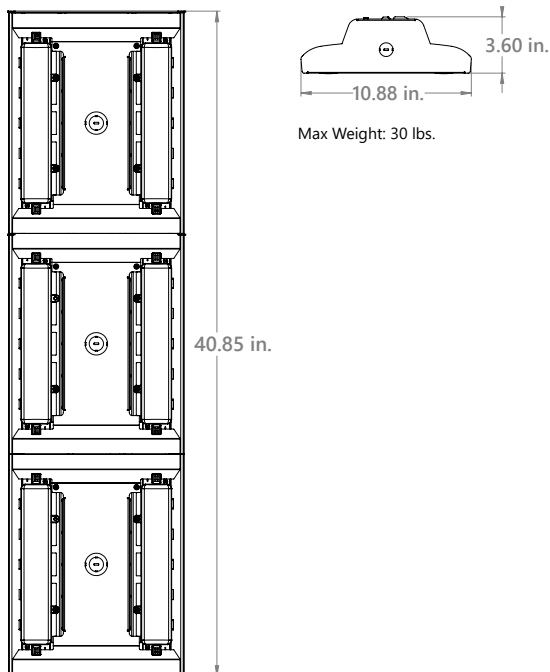
2S - MODULE - 30 & 30H, 36T & 36H OUTPUT



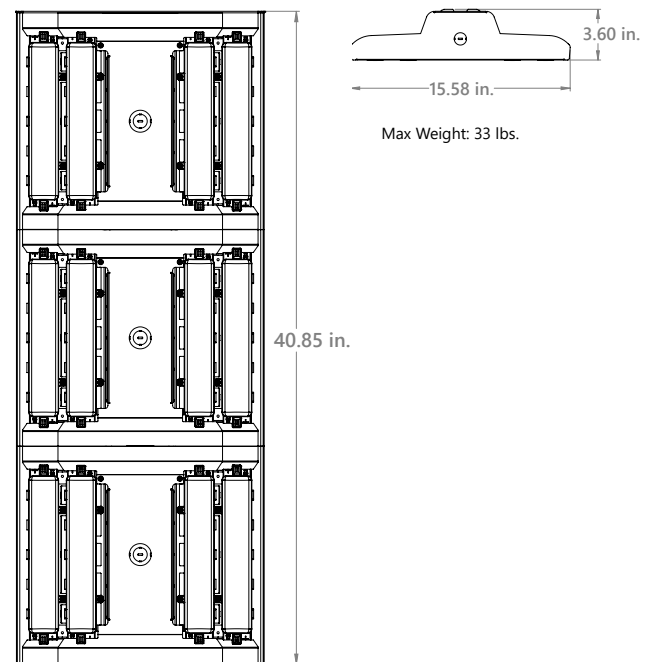
2D - MODULE - 60T & 60H OUTPUT



3S - MODULE - 48T & 48H OUTPUT



3D - MODULE - 90T & 90H OUTPUT



Albeo® LED Luminaires

ABV3 series | LED High Bay Lighting

Photometric Data

AGENT/DISTRIBUTOR NAME-LOGO _____

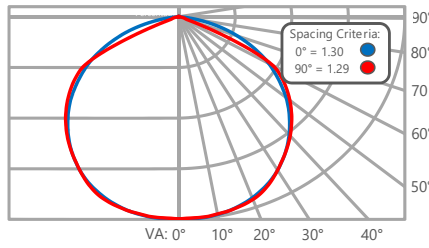
Project Name _____

Date _____ Type _____

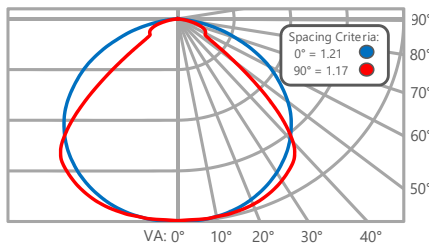
Catalog Number _____

PHOTOMETRIC DATA

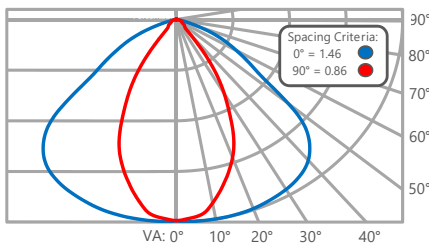
1Q/1C
120° Lens



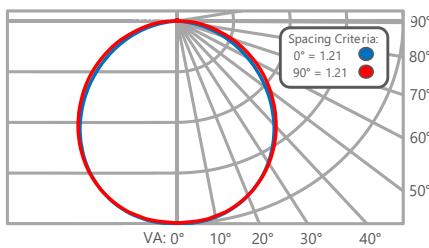
9Q/9C
90° Lens



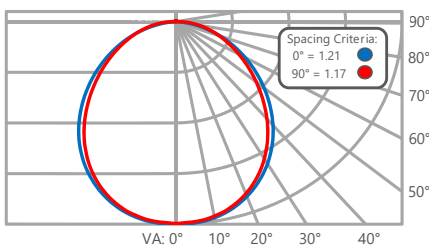
5C
55° Lens



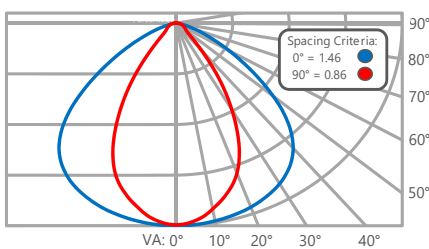
1D
120° Diffuse Lens



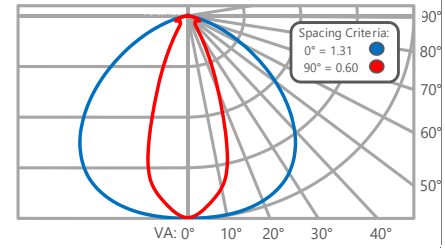
9D
90° Diffuse Lens



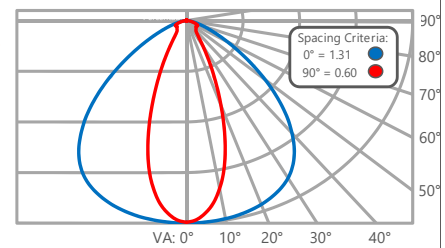
5T
55° Textured Diffuse Lens



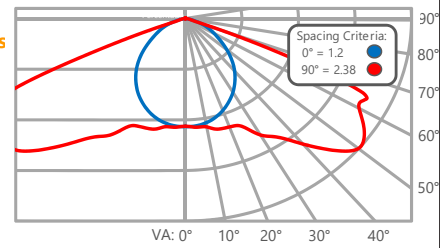
3C
30° Lens



3T
30° Textured Diffuse Lens



WC
Wide Parking Garage Lens



Albeo® LED Luminaires

ABV3 series | LED High Bay Lighting

Daintree® Wireless Controls

AGENT/DISTRIBUTOR NAME-LOGO

Project Name _____

Date _____ Type _____

Catalog Number _____

WIRELESS NETWORKING AND SENSING DEVICE OPTIONS*

- **Daintree® One:** Wireless fixture integrated sensor that is perfect for single fixtures or small area applications. Standalone wireless lighting controls that work independently. Comes preset from the factory, yet can be upgraded to Daintree EZ Connect and/or Daintree Enterprise in the future. Factory preset to shut off 20 minutes after the space is vacated of occupants. Daylight harvesting preset enabled on.
- **Daintree® EZ Connect:** Wireless fixture integrated sensor that is designed for room based controls where a group of fixtures communicate to each other and communicate wirelessly in chorus as a system. The advantage is simple, minimal field based commissioning. Factory preset to shut off 20 minutes after the space is vacated of occupants. No daylight harvesting set in initial preset. EZ Connect wireless lighting controls are set up and/or can be changed by the Daintree EZ Connect application that can be downloaded via a smart device.
- **Daintree® Enterprise:** Wireless fixture integrated sensor technology that is ideal for multisite lighting system management. System requires software and commissioning. Monitor multiple controls, lighting, energy, HVAC with unlimited potential for other (3rd party) sensor integration. "Open on the bottom" means that ZigBee communication protocol is an industry standard with countless wireless hardware sensing options. "Open on the top" means that the data from the sensors can be used by any 3rd party software supplier/developer, be it part of a complete BMS system or simple API (Application Programming Interface or "App"). Daintree Enterprise offers a complete future proof solution from any Daintree enabled installed base of fixtures.

*Contact Factory for specific option availability

WHR1 IR REMOTE



ABV3 WITH OPTIONAL DAINTREE WIRELESS WHS20 CONTROL MODULE

