



Evolve™ by GE  
Outdoor LED Fixtures



# The GE Advantage™

Each Evolve™ by GE LED fixture comes complete with GE service and support, every step of the way.

## 1 Discovery & Design

You receive a comprehensive, custom lighting solution from a team who truly listens to understand your specific goals.

## 2 Innovative Systems

You can choose from a broad portfolio, including the latest lighting technologies.

## 3 Seamless Distribution

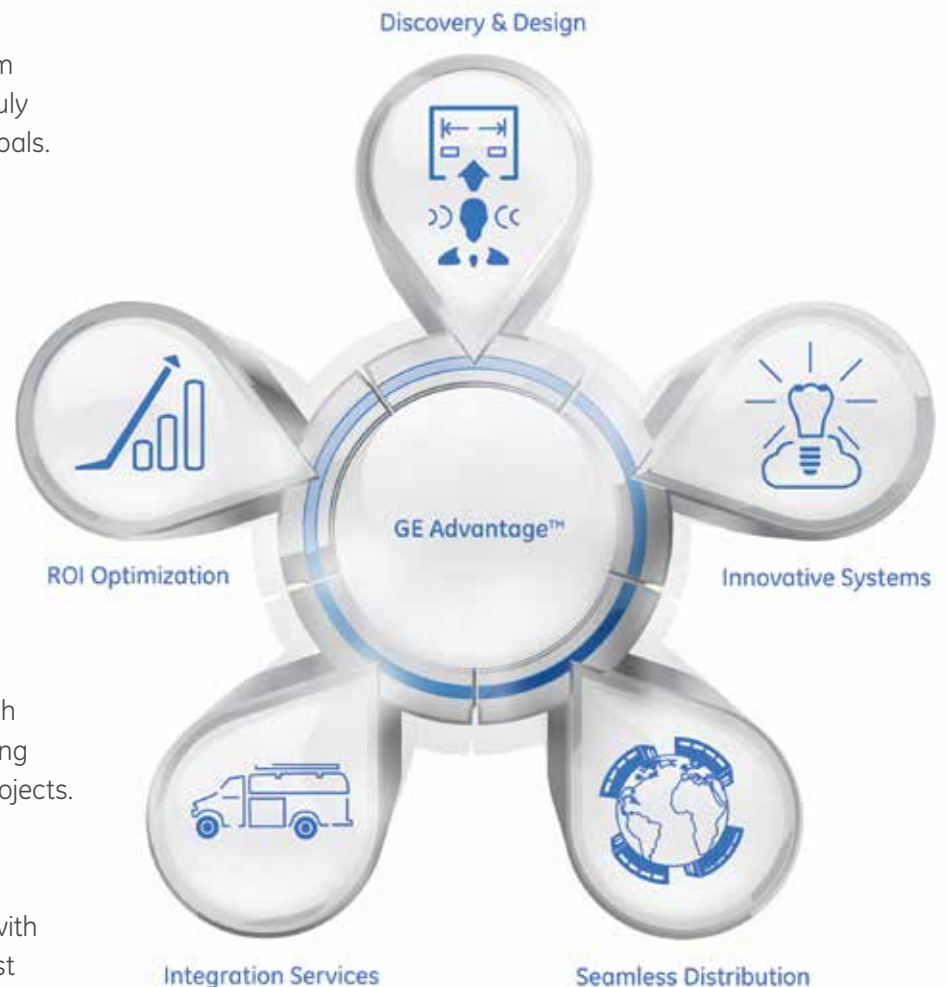
You have easy and immediate access through our national network of distributors.

## 4 Integration Services

You garner coordination services with a network of installers for your existing infrastructure or new construction projects.

## 5 ROI Optimization

You see attractive financial benefits with a plan built to deliver – we even assist with utility rebate capture and propose financing options from GE Capital.

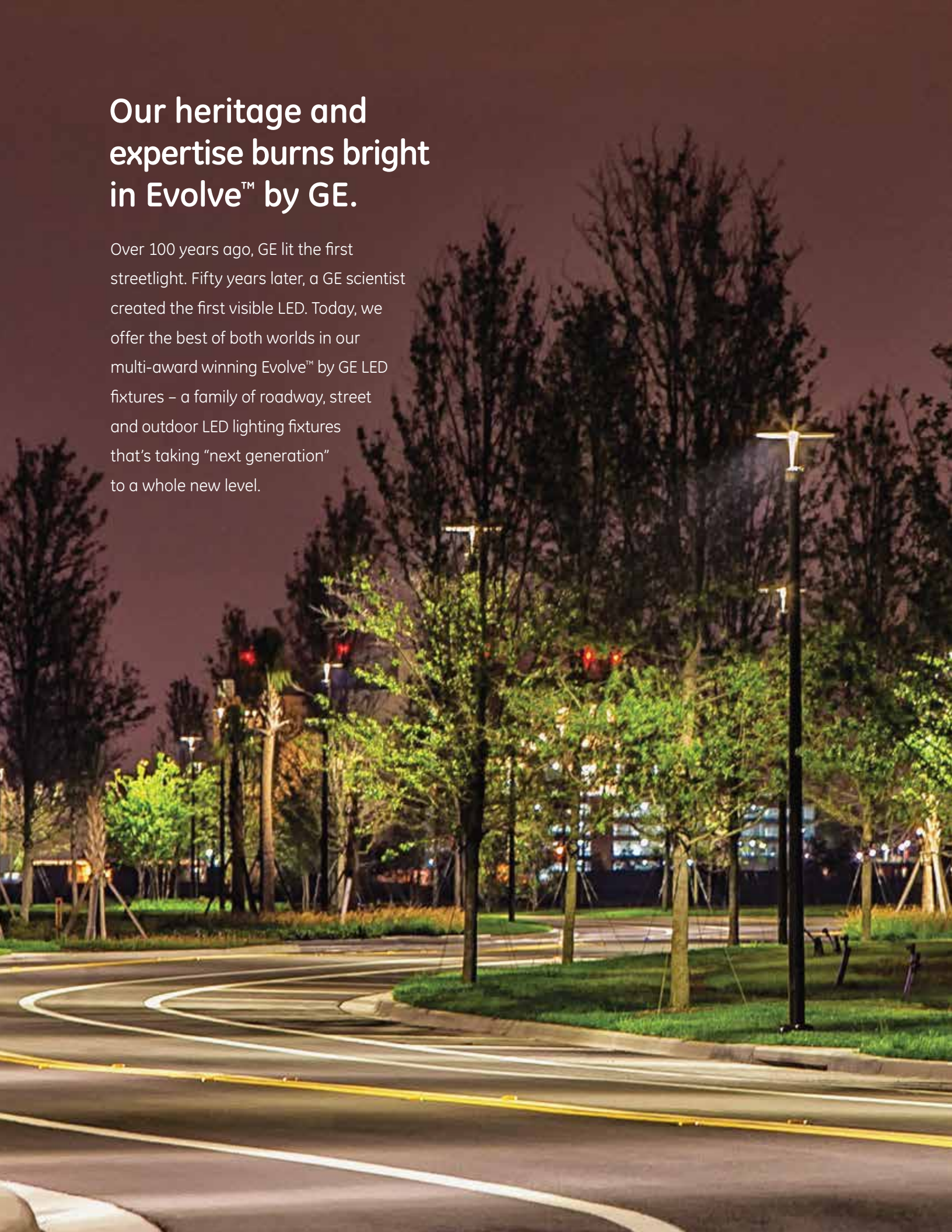


## MAKING MORE HISTORY

The Evolve™ by GE family of products is one of the most awarded in GE history. Honors include the highly coveted Best-in-Class award, in two consecutive years, from the Next Generation Luminaires™ (NGL) Solid-State Lighting Design Competition, the LIGHTFAIR® International innovation award, and the Architectural SSL Product Innovation Award (PIA).

# Our heritage and expertise burns bright in Evolve™ by GE.

Over 100 years ago, GE lit the first streetlight. Fifty years later, a GE scientist created the first visible LED. Today, we offer the best of both worlds in our multi-award winning Evolve™ by GE LED fixtures – a family of roadway, street and outdoor LED lighting fixtures that’s taking “next generation” to a whole new level.



# Reimagining the landscape of outdoor lighting.

Outdoor lighting is absolutely crucial to the security of our streets and public places. And today, it has a lot to live up to: new legislation, environmental challenges, requirements in energy reduction – just to name a few.

Nobody has more experience in outdoor lighting than GE. For more than a century, we've been imagining better for our roadways, parking lots, garages, residences and commercial areas. Better energy efficiency. Better aesthetics. Less maintenance. You get it all with Evolve™ by GE.





# Building better solutions in Hendersonville.

## Get what you want faster with responsive services.

We've all heard it before: You can have it fast, or you can have it right. At GE Lighting, we want our customers to have both. That's why we've integrated the highest standards of quality testing into our engineering process. And it's why we've transformed our Hendersonville, North Carolina, plant into a short-cycle manufacturing center. Now, we can move from order placement to product shipping in as little as 10 days. Combine this with our comprehensive distribution and installation network, and you'll have your custom outdoor solutions up, running and generating savings faster than ever before.

## The complete package. One provider.

When you choose GE, you'll enjoy the benefits of working with a single supplier for your full outdoor LED lighting system. In addition to convenience, you can be sure all parts and pieces were designed to work together for the highest performance.





# Evolve™ by GE LED fixtures. Imagination runs in the family.

From roadways to parking lots, residential to retail, commercial properties to public places, you'll find your ideal lighting solution in the Evolve™ by GE portfolio. Efficiency and reliability come standard in each fixture, and that's just the beginning.





### **Long life span**

Evolve™ by GE LED fixtures offer a 50,000-hour life rating, equaling more than 11 years of service life based on 12 hours of operation per day.

### **Minimal maintenance**

Longer life span means less time switching out lamps. Couple that with easier installation and more reliable engineering, and your maintenance time is virtually eliminated.

### **Environmental responsibility**

In addition to the built-in efficiency benefits of LEDs, all Evolve by GE LED fixtures are mercury- and lead-free.

### **Reduced glare**

Revolutionary designs produce safer, non-pixelated light with low glare.

### **Outstanding performance – no matter the weather**

Evolve by GE LED fixtures are built to endure extreme weather hazards and conditions. And, unlike other outdoor options, these fixtures perform even better in the cold.

# Evolve™ by GE LED Roadway Lights

Combining the science of light and a historical knowledge of roadway fixtures, GE engineers have developed groundbreaking roadway lighting solutions that are changing the way we light our lanes. Advanced optical designs offer hundreds of photometric options to meet your precise lighting requirements, while delivering the built-in benefits of all Evolve™ by GE LED fixtures and more.

**Maximized efficient utilization of light (CU)** means less wasted light and more saved energy.

**Increased control** with stand-alone or wireless control system options.

**Simplified installation and maintenance** with easy-access doors for replacements or repairs, and tool-less or single-tool entry for quicker connects.

**More consistent light distribution** through a revolutionary optic design that focuses light on the road, not in the eyes of drivers.

**Optimized thermal management** due to a robust heat sink design, resulting in longer life, reduced lumen depreciation and exceptional performance.



## Low Wattage Streetlight (ERL)

The ideal LED solution for basic local and collector roadway needs.



## Scalable Project Grade Cobrahead (ERS1 & ERS2)

For local to major roadways, combine the aesthetic of traditional roadway fixtures, the technical capabilities of a sophisticated LED system, and the functional demands of extreme weather hazards.



## Scalable Specification Grade Cobrahead (ERS1, ERS2, ERS3 & ERS4)

With hundreds of photometric options and lumen ranges from 2,400 to 25,400, expect exceptionally controlled light for any roadway.



## Evolve LED Security Light (E2SA)

An energy-efficient, robust fixture designed for outdoor work yards, roadside commercial establishments, suburban developments and rural areas.



## CASE IN POINT.

The city of Oakland, California, achieved 40% savings (over \$1.4 million annually) in energy and maintenance costs with Evolve by GE Scalable Cobrahead fixtures.



# Evolve™ by GE LED Decorative Post Tops

For downtown spaces, commercial developments and residential communities, you'll find Evolve™ by GE LED Decorative Post Tops that offer more than their striking good looks. In addition to improved horizontal and vertical uniformity, you can say goodbye to the shadow circles commonly seen beneath other LED post top fixtures. And compared to HID, Evolve by GE LED Decorative Post Tops can significantly reduce system energy.

**Avery™ StreetDreams™  
(EPAS)**  
Classic nostalgia



**Salem (EPST)**  
Traditional  
utility carriage



**Contemporary Twin  
Support (EPTC)**  
Distinct, trim styling





## Evolve™ by GE LED Area Lights

Evolve™ by GE LED Area Lights provide reduced offsite visibility, as well as effective security light levels with symmetric and asymmetric distributions. They can yield a significant reduction in system energy compared with standard HID systems and virtually eliminate ongoing maintenance expenses.



### Scalable Area Light (EAS)

Offers greater flexibility, style and scalability for applications like commercial and medical properties, strip malls and large malls, and small, large and big box retailers.



### Scalable Wall Pack (EWS)

A scalable solution for wall-mounted site, area and general lighting applications. Can reduce energy consumption considerably compared to standard HID systems.



### N Series Area Light (EAN)

Delivers superior site uniformity and vertical light distribution with mounting options for both square and round poles. Matching Wall Pack and Flood Light make it a cinch to match the look of parking lots, building façades, walkways and other areas.



### N Series Wall Pack (EWN)

Designed to efficiently illuminate walkways and general areas; balances need for scalability with workhorse performance.



## Evolve™ by GE LED Canopy Lights



ECB

Built to meet technical, functional and weather demands, Evolve™ Canopy Lights are an ideal solution for canopy installations (such as gas stations), or drive-thrus. The sleek new ECB fixture offers quick and easy installation – just four screws.



ECR

## Evolve by GE LED Parking Garage Lights



EGMS

Enjoy significant energy and maintenance reduction, effective security light levels, increased control and the instant-on capabilities needed to make the most of parking areas. Our unique light-up version eliminates the “cave effect” for a safer, more driver-friendly installation.



EG2R

## Evolve by GE LED Flood Lights



### Flood Light (EFN)

Four mounting options fit virtually any flood application, including architectural wall washing and façade lighting, sports court area lighting, flagpoles and bulletin/billboard lighting. A unique photoelectric sensor receptacle can minimize control requirements in dusk-to-dawn applications.

# Reimagine your outdoor lighting in three easy steps.



1. Request your FREE Lighting Audit from GE.



2. Receive your customized lighting solution.



3. Let GE coordinate the rest.

Backed by the GE Advantage™,  
we will work with you to:



Learn how to  
save energy  
and cut  
spending



Support  
environmental  
initiatives



Realize  
a positive  
return on  
investment

To learn more about municipal lighting solutions from GE or schedule your complimentary Lighting Audit, visit [gelighting.com/evolve](http://gelighting.com/evolve).





Stars belong outside. And that's just where you'll find Evolve™ by GE LED fixtures. From roadways to residential neighborhoods, parking lots to public spaces, Evolve by GE outdoor LED lighting fixtures are redefining the limits of high-quality, low-maintenance, energy-efficient illumination. Welcome to the next evolution of outdoor lighting. Get ready to shine.

For more information or to get started, contact your GE Lighting sales representative or visit [gelighting.com/evolve](http://gelighting.com/evolve).

Information provided is subject to change without notice. All values are design or typical values when measured under laboratory conditions, and GE makes no warranty or guarantee, express or implied, that such performance will be obtained under end-use conditions. Evolve™ is a registered trademark of GE. ©2015 GE.

GE  
Lighting

# Evolve™ LED Area Light

Scalable Area Light (EASC)



imagination at work

## Product Features

The next evolution of the GE Evolve™ LED Area Light continues to deliver outstanding features, while adding greater flexibility, style and scalability. This latest design offers higher lumen outputs and provides photometric combinations with high efficacy, providing the ability to meet even a wider range of area lighting needs. Additionally, the new EASC Evolve Luminaire comes with a specially designed auto dealership optic for exceptional illuminance on the dealership's front row. Optional programmable motion sensing for Title 24 compliance is available.

### Applications

- Site, area, and general lighting applications utilizing advanced LED optical system providing high uniformity, excellent vertical light distribution, reduced offsite visibility, reduced on-site glare and effective security light levels.
- Ideal for small to large retailers, commercial to medical properties, and big box retailers.

### Housing

- Die-cast aluminum housing.
- Slim architectural design incorporates an integral heat sink and light engine, ensuring maximum heat transfer, long LED life, and a reduced Effective Projected Area (EPA).
- Meets 3G vibration standards per ANSI C136.31-2010.

### LED & Optical Assembly



- Structured LED arrays for optimized area light photometric distribution.
- Evolve light engine with directional reflectors designed to optimize application efficiency and minimize glare.
- Utilizes high brightness LEDs, 70 CRI at 4000K and 5000K typical.

### Lumen Maintenance

Lumen Maintenance (25°C Ambient)				
Optical Code	Calculated		Calculated Hours	
	50,000 hr	100,000 hr	L70	L90
L5, V5, L4, L3, L2	0.98	0.95	>100,000	>100,000
LA	0.90	0.81	>100,000	49,000
All others	0.99	0.97	>100,000	>100,000

Lumen Maintenance per IES TM-21.

### Ratings

-  listed, suitable for wet locations.
-  listed with option code "J" SKUs.
- IP65 rated optical enclosure per ANSI C136.25-2009.
- Temperature rated at -40° to 50°C (-40° to 35°C for fixtures over 390 watts).
- Upward Light Output Ratio (ULOR) = 0.
- Title 24 compliant with "H" motion sensor option.
- Compliant with the material restriction requirements of RoHS.

### Mounting

#### Option A

- 10-inch (254mm) mounting arm for square pole prewired with 24-inch (610mm) leads.

#### Option B

- 10-inch (254mm) mounting arm for round pole prewired with 24-inch (610mm) leads.

#### Option C

- Slipfitter mounting for 2 3/8-inch (60mm) O.D. pipe prewired with 24-inch (610mm) leads.

#### Option D

- 10-inch (254mm) mounting arm for round or square pole prewired with 24-inch (610mm) leads.

#### Option S

- Knuckle Slipfitter mounting for 2.3-3" O.D. pipe, pre-wired with 24-inch (610mm) leads.

### Finish

- Corrosion resistant polyester powder painted, minimum 2.0 mil. thickness.
- Standard colors: Black & Dark Bronze.
- RAL & custom colors available.

### Electrical

- 120-277 volt and 347-480 volt available.
- System power factor is >90% and THD <20%.\*
- Class "A" sound rating.
- Photo electric sensors (PE) available for all voltages.
- ANSI C136.41 dimmable PE receptacle is available making the unit "adaptive controls ready."
- Surge Protection Options:  
For 120-277VAC and 347-480VAC per IEEE/ANSI C136.2-2015.
  - 6kV/3kA "Basic" surge protection, standard.
  - 10kV/5kA "Enhanced" surge protection available with R option.

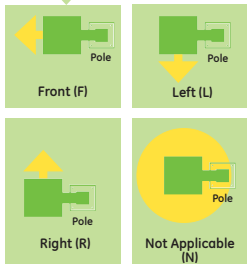
\* System power factor and THD is tested and specified at 120V input and maximum load conditions.

# Ordering Number Logic

## Evolve™ LED Scalable Area Light (EASC)



EAS C

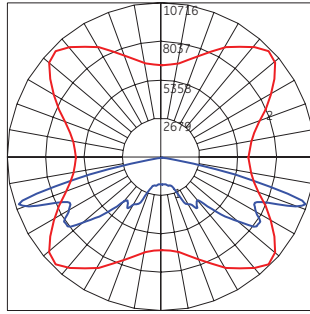
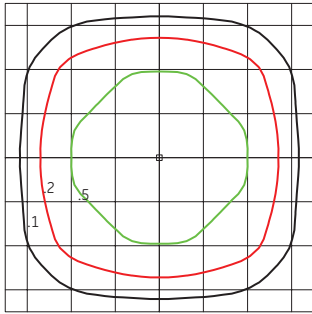
PROD. ID	PHOTOMETRIC	VOLTAGE	OPTICAL CODE	DISTRIBUTION ORIENTATION	DRIVE CURRENT	LED COLOR TEMP	PE FUNCTION	MOUNTING ARM	COLOR	OPTIONS
E = Evolve A = Area S = Scalable	C = Photometric Series	0 = 120 - 277 1 = 120* 2 = 208* 3 = 240* 4 = 277* 5 = 480* D = 347* H = 347-480  *Specify single voltage if fuse option is selected.	F = Front L = Left R = Right N = Not Applicable  Light pattern thrown in direction specified in relation to Pole and Fixture.  	5 = 525mA 7 = 700mA* * Only select for product 395W or greater.  40 = 4000K 50 = 5000K	1 = None 2 = PE Rec. 4 = PE Rec. with Shorting Cap 5 = PE Rec. with Control** A = ANSI C136.41 7-pin dimming PE Receptacle 1# D = ANSI C136.41 7-pin dimming PE Receptacle with Shorting Cap 1#  ** PE control not available for 347-480V. Must be a discrete voltage (347V or 480V). † When ordering PE function socket A-D, a dimming driver must also be ordered under the "OPTIONS" column. # Order Dimming/Control PE as a separate item.	A = 10" Arm for Square Pole supplied with leads B = 10" Arm for Round Pole supplied with leads C = EXT Slip-fitter 2" Pipe (2.378 in. OD) supplied with leads D = 10" Arm for round or square poles, supplied with leads and additional hardware S = Knuckle Slipfitter for 2.3 in. - 3.0 in. OD Tenon, supplied with leads. 0-45° vertical aiming angles achievable.	BLCK = Black DKBZ = Dark Bronze GRAY = Gray WHITE = White  Contact manufacturer for other colors.	C = IEC D = Dimming (0-10 Volt Input)† F = Fusing H = Motion Sensor**# J = cUL/Canada R = 10kV Extra Surge Protection XXX = Special Options  † Dimming leads will be provided through the back of the arm, unless specified with A or D PE Function.  ** When ordering Motion Sensing Option H - "A" or "B" Mounting Arm must be selected. Fixture power increase of 1W expected with sensor use.  # Dimming is standard with H option code. Do not also select D option. Not compatible with PE receptacle options A, or D.		

	OPTICAL CODE	TYPE	TYPICAL INITIAL LUMENS	TYPICAL SYSTEM WATTAGE	DISTRIBUTION ORIENTATION AVAILABLE	BUG RATING* 4000K & 5000K			IES FILE NUMBER			
						B	U	G	4000K	5000K		
TYPE V	D5	Symmetric Medium	8300	82	N	3	0	2	EASC_D5N540	.IES	EASC_D5N550	.IES
	E5	Symmetric Medium	12700	119	N	4	0	2	EASC_E5N540	.IES	EASC_E5N550	.IES
	F5	Symmetric Medium	15000	137	N	4	0	2	EASC_F5N540	.IES	EASC_F5N550	.IES
	G5	Symmetric Medium	17100	156	N	4	0	2	EASC_G5N540	.IES	EASC_G5N550	.IES
	H5	Symmetric Medium	21200	199	N	4	0	2	EASC_H5N540	.IES	EASC_H5N550	.IES
	J5	Symmetric Medium	25200	235	N	5	0	3	EASC_J5N540	.IES	EASC_J5N550	.IES
	K5	Symmetric Medium	30000	283	N	5	0	3	EASC_K5N540	.IES	EASC_K5N550	.IES
	L5	Symmetric Medium	38000	395	N	5	0	4	EASC_L5N740	.IES	EASC_L5N750	.IES
	N5	Symmetric Short	9200	82	N	3	0	1	EASC_N5N540	.IES	EASC_N5N550	.IES
	P5	Symmetric Short	13800	119	N	3	0	2	EASC_P5N540	.IES	EASC_P5N550	.IES
	Q5	Symmetric Short	16400	137	N	4	0	2	EASC_Q5N540	.IES	EASC_Q5N550	.IES
	R5	Symmetric Short	18700	156	N	4	0	2	EASC_R5N540	.IES	EASC_R5N550	.IES
	S5	Symmetric Short	23100	199	N	4	0	2	EASC_S5N540	.IES	EASC_S5N550	.IES
	T5	Symmetric Short	27400	235	N	4	0	2	EASC_T5N540	.IES	EASC_T5N550	.IES
	U5	Symmetric Short	33000	283	N	5	0	2	EASC_U5N540	.IES	EASC_U5N550	.IES
V5	Symmetric Short	41500	395	N	5	0	3	EASC_V5N740	.IES	EASC_V5N750	.IES	
TYPE IV	A4	Asymmetric Forward	4200	44	F, L, R	1	0	1	EASC_A4F540	.IES	EASC_A4F550	.IES
	B4	Asymmetric Forward	6500	62	F, L, R	1	0	2	EASC_B4F540	.IES	EASC_B4F550	.IES
	C4	Asymmetric Forward	7600	72	F, L, R	1	0	2	EASC_C4F540	.IES	EASC_C4F550	.IES
	D4	Asymmetric Forward	8700	82	F, L, R	1	0	2	EASC_D4F540	.IES	EASC_D4F550	.IES
	E4	Asymmetric Forward	12900	119	F, L, R	2	0	3	EASC_E4F540	.IES	EASC_E4F550	.IES
	F4	Asymmetric Forward	15400	144	F, L, R	2	0	3	EASC_F4F540	.IES	EASC_F4F550	.IES
	G4	Asymmetric Forward	17100	156	F, L, R	2	0	3	EASC_G4F540	.IES	EASC_G4F550	.IES
	H4	Asymmetric Forward	21200	199	F, L, R	3	0	4	EASC_H4F540	.IES	EASC_H4F550	.IES
	J4	Asymmetric Forward	25200	235	F, L, R	3	0	4	EASC_J4F540	.IES	EASC_J4F550	.IES
	K4	Asymmetric Forward	30000	283	F, L, R	3	0	5	EASC_K4F540	.IES	EASC_K4F550	.IES
L4	Asymmetric Forward	38300	395	F, L, R	3	0	5	EASC_L4F740	.IES	EASC_L4F750	.IES	
TYPE III	A3	Asymmetric Wide	4700	44	F, L, R	1	0	1	EASC_A3F540	.IES	EASC_A3F550	.IES
	B3	Asymmetric Wide	7100	62	F, L, R	1	0	1	EASC_B3F540	.IES	EASC_B3F550	.IES
	C3	Asymmetric Wide	8300	72	F, L, R	1	0	2	EASC_C3F540	.IES	EASC_C3F550	.IES
	D3	Asymmetric Wide	9500	82	F, L, R	2	0	2	EASC_D3F540	.IES	EASC_D3F550	.IES
	E3	Asymmetric Wide	13900	119	F, L, R	2	0	2	EASC_E3F540	.IES	EASC_E3F550	.IES
	F3	Asymmetric Wide	16800	144	F, L, R	2	0	2	EASC_F3F540	.IES	EASC_F3F550	.IES
	G3	Asymmetric Wide	18700	156	F, L, R	2	0	2	EASC_G3F540	.IES	EASC_G3F550	.IES
	H3	Asymmetric Wide	23100	199	F, L, R	3	0	3	EASC_H3F540	.IES	EASC_H3F550	.IES
	J3	Asymmetric Wide	27400	235	F, L, R	3	0	3	EASC_J3F540	.IES	EASC_J3F550	.IES
	K3	Asymmetric Wide	33000	283	F, L, R	3	0	4	EASC_K3F540	.IES	EASC_K3F550	.IES
L3	Asymmetric Wide	41500	395	F, L, R	3	0	4	EASC_L3F740	.IES	EASC_L3F750	.IES	
TYPE II	A2	Asymmetric Narrow	4600	44	F, L, R	1	0	1	EASC_A2F540	.IES	EASC_A2F550	.IES
	B2	Asymmetric Narrow	6800	62	F, L, R	1	0	1	EASC_B2F540	.IES	EASC_B2F550	.IES
	C2	Asymmetric Narrow	8000	72	F, L, R	2	0	2	EASC_C2F540	.IES	EASC_C2F550	.IES
	D2	Asymmetric Narrow	9100	82	F, L, R	2	0	2	EASC_D2F540	.IES	EASC_D2F550	.IES
	E2	Asymmetric Narrow	13400	119	F, L, R	2	0	2	EASC_E2F540	.IES	EASC_E2F550	.IES
	F2	Asymmetric Narrow	16200	144	F, L, R	3	0	3	EASC_F2F540	.IES	EASC_F2F550	.IES
	G2	Asymmetric Narrow	18000	156	F, L, R	3	0	3	EASC_G2F540	.IES	EASC_G2F550	.IES
	H2	Asymmetric Narrow	22300	199	F, L, R	3	0	3	EASC_H2F540	.IES	EASC_H2F550	.IES
	J2	Asymmetric Narrow	26500	235	F, L, R	3	0	3	EASC_J2F540	.IES	EASC_J2F550	.IES
	K2	Asymmetric Narrow	31900	283	F, L, R	3	0	4	EASC_K2F540	.IES	EASC_K2F550	.IES
	L2	Asymmetric Narrow	40000	395	F, L, R	4	0	4	EASC_L2F740	.IES	EASC_L2F750	.IES
	KA	Asymmetric 100° Wide Auto	35400	283	F, L, R	4	0	3	EASC_KAF540	.IES	EASC_KAF550	.IES
LA	Asymmetric 100° Wide Auto	46900	398	F, L, R	5	0	4	EASC_LAF740	.IES	EASC_LAF750	.IES	

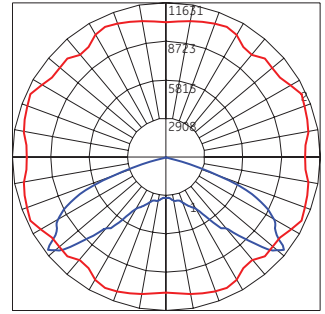
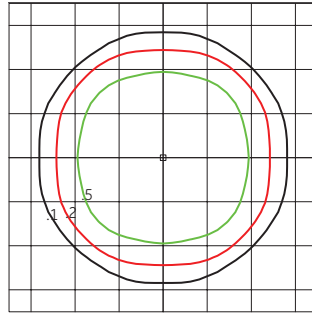
\*Rating values for B and G are based on rated lumens and may vary due to flux tolerances.

# Photometrics

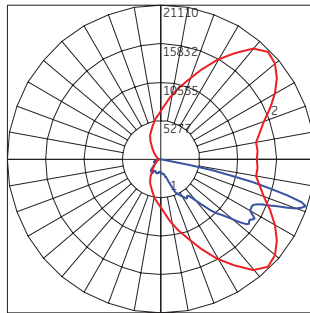
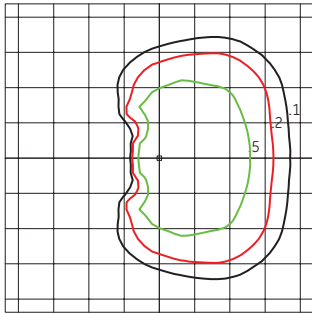
**EASC Type V - Symmetric Medium (K5)**  
30,000 Lumens, 5000K (EASC\_K5N550\_\_ies)



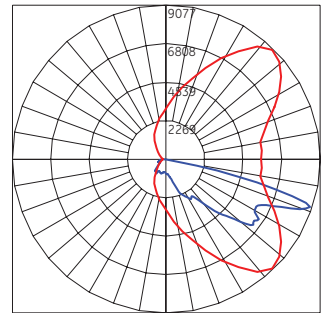
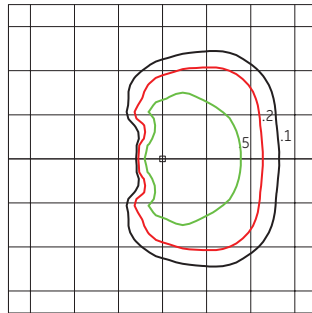
**EASC Type V - Symmetric Short (U5)**  
33,000 Lumens, 5000K (EASC\_U5N550\_\_ies)



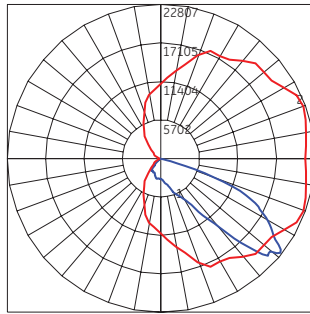
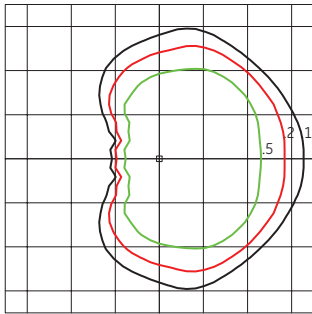
**EASC Type IV - Asymmetric Forward (K4)**  
30,000 Lumens, 5000K (EASC\_K4F550\_\_ies)



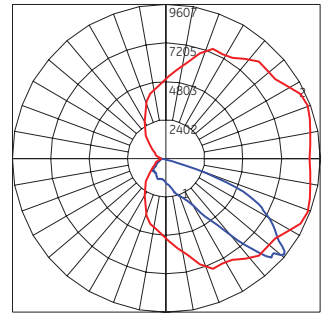
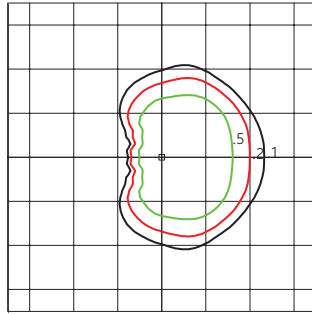
**EASC Type IV - Asymmetric Forward (E4)**  
12,900 Lumens, 5000K (EASC\_E4F550\_\_ies)



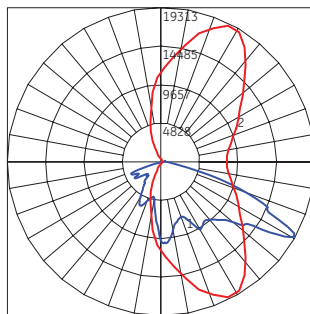
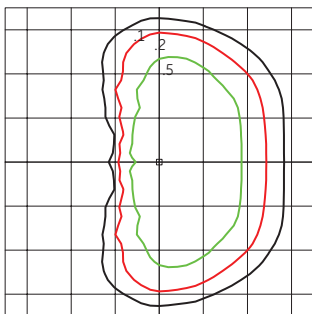
**EASC Type III - Asymmetric Wide (K3)**  
33,000 Lumens, 5000K (EASC\_K3F550\_\_ies)



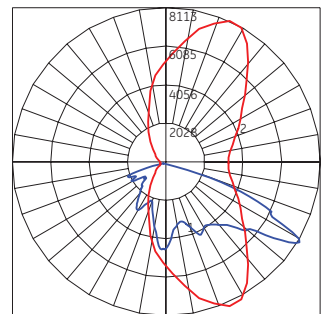
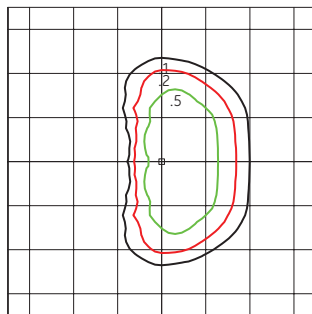
**EASC Type III - Asymmetric Wide (E3)**  
13,900 Lumens, 5000K (EASC\_E3F550\_\_ies)



**EASC Type II - Asymmetric Narrow (K2)**  
31,900 Lumens, 5000K (EASC\_K2F550\_\_ies)

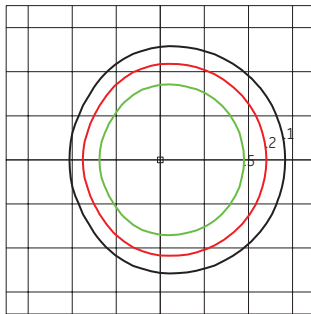


**EASC Type II - Asymmetric Narrow (E2)**  
13,400 Lumens, 5000K (EASC\_E2F550\_\_ies)

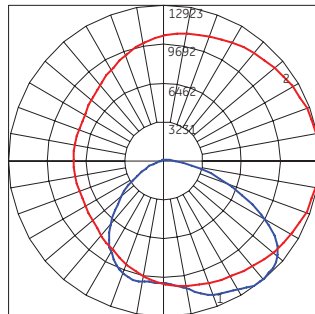


# Photometrics

EASC Type II - Asymmetric Auto (KA)  
35,400 Lumens, 5000K (EASC\_KAF550\_\_.ies)

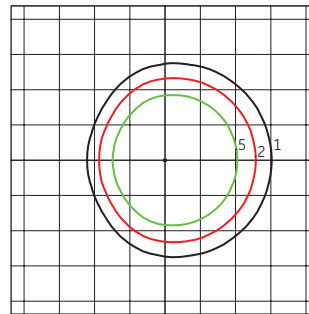


Grid Distance in Units of Mounting Height at 40' Initial Footcandle Values at Grade

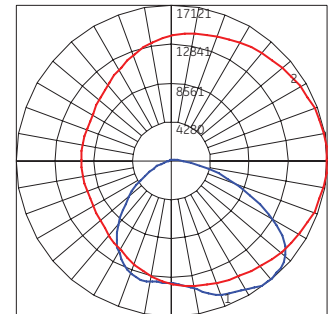


— Vertical plane through horizontal angle of maximum candlepower at 0°  
— Vertical plane through horizontal angle of 37°

EASC Type II - Asymmetric Auto (LA)  
46,900 Lumens, 5000K (EASC\_LAF750\_\_.ies)



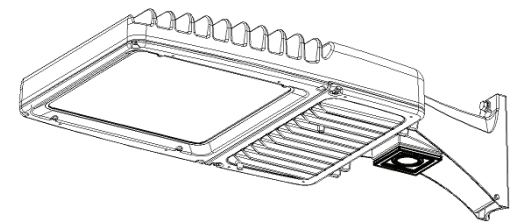
Grid Distance in Units of Mounting Height at 40' Initial Footcandle Values at Grade



— Vertical plane through horizontal angle of maximum candlepower at 0°  
— Vertical plane through horizontal angle of 37°

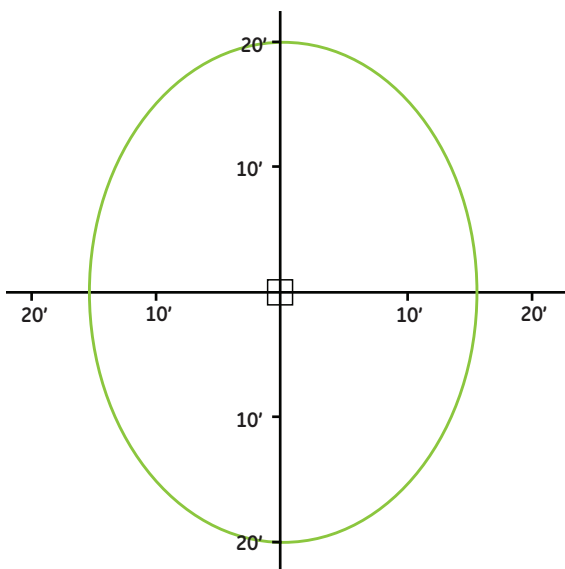
## H-Motion Sensing Option:

- Intended for high mounting applications, between 15-30ft (4.57-9.14m). For mounting heights exceeding 30ft, pole mounted sensors are recommended.
- Provides a coverage area radius for walking motion of 15-20ft (4.57-6.10m).
- Provides 270° of coverage (~90° is blocked by the pole).
- Comes standard with 50% dimmed light output with no occupancy, and full power at occupancy.
- Comes standard with photocell function. Note: It is not necessary to also purchase PE receptacle or control.
- Comes standard with a 5 minute occupancy time delay and a 5 minute ramp-down to the 50% dimmed level.
- Must order with decorative mounting arm options "A" or "B".
- Fixture power increase of 1W expected with sensor use.



Note: Standard options may be reprogrammed in the field. Reprogramming instructions included in product shipment.

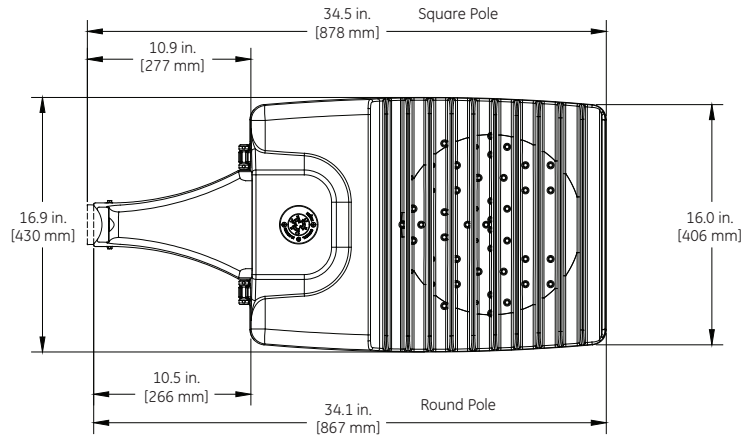
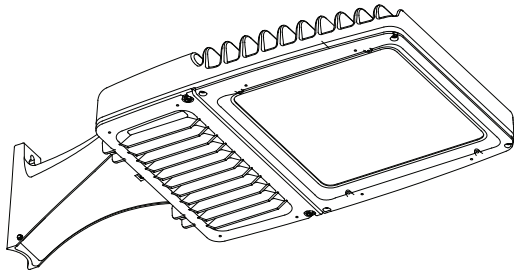
## Sensor Pattern:



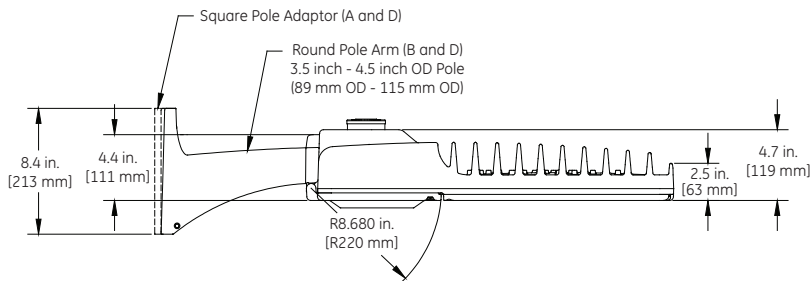
Sensing Pattern Area Fixture  
Up to 30 ft.

# Product Dimensions

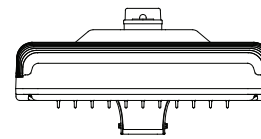
(Option A) 10" Arm for Square Pole Mount  
 (Option B) 10" Arm for Round Pole Mount  
 (Option D) 10" Arm for Square Pole Mount or Round Pole Mount  
 Option D includes all mounting hardware in Option A and Option B



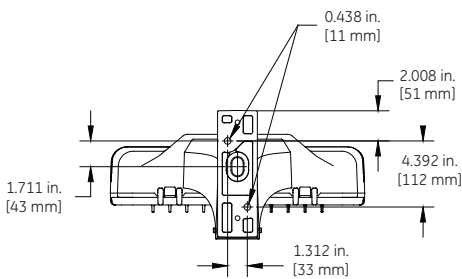
TOP VIEW



SIDE VIEW

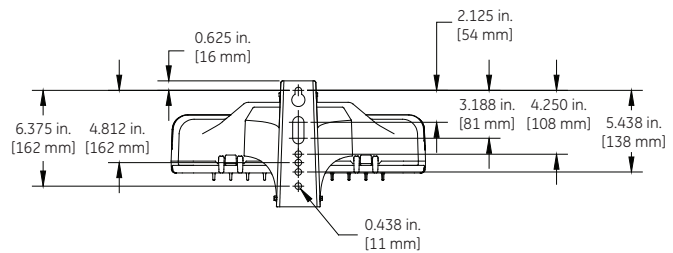


FRONT VIEW



BACK VIEW

Option A and D Square Pole  
 3.5 inch - 4.5 inch Pole  
 (89 mm - 115 mm)



BACK VIEW

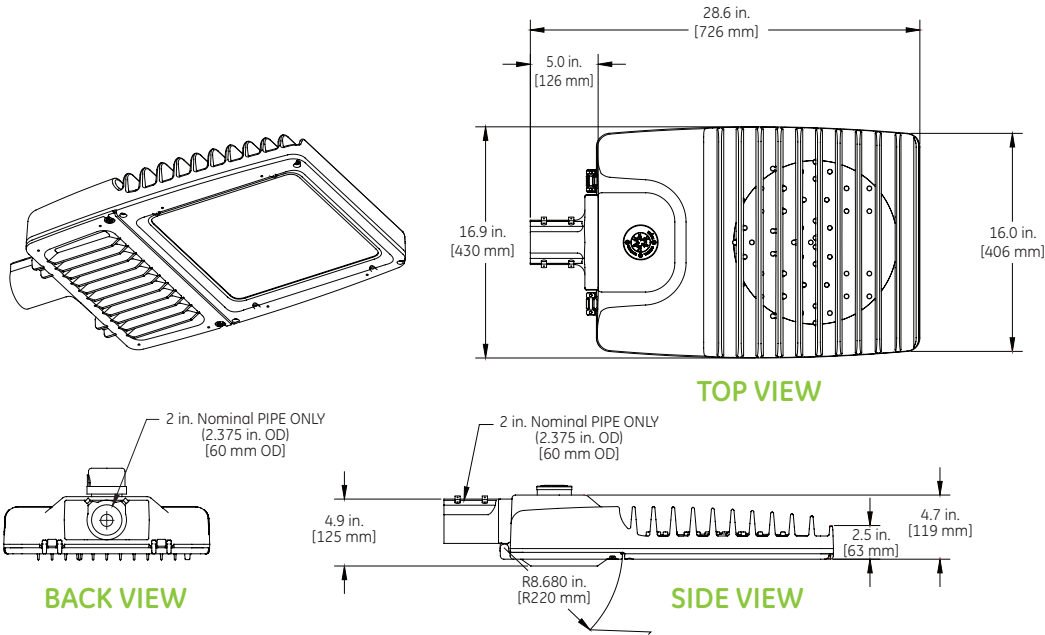
Option B and D Round Pole  
 3.5 inch - 4.5 inch OD Pole  
 (89 mm OD - 115 mm OD)

**DATA**

- Approximate net weight: 43-47 lbs (19.50 - 21.32 kgs)  
 Contact manufacturer for specific configuration weight.
- Effective Projected Area (EPA) with 10" Mounting Arm: 0.97 sq ft max (0.09 sq m)

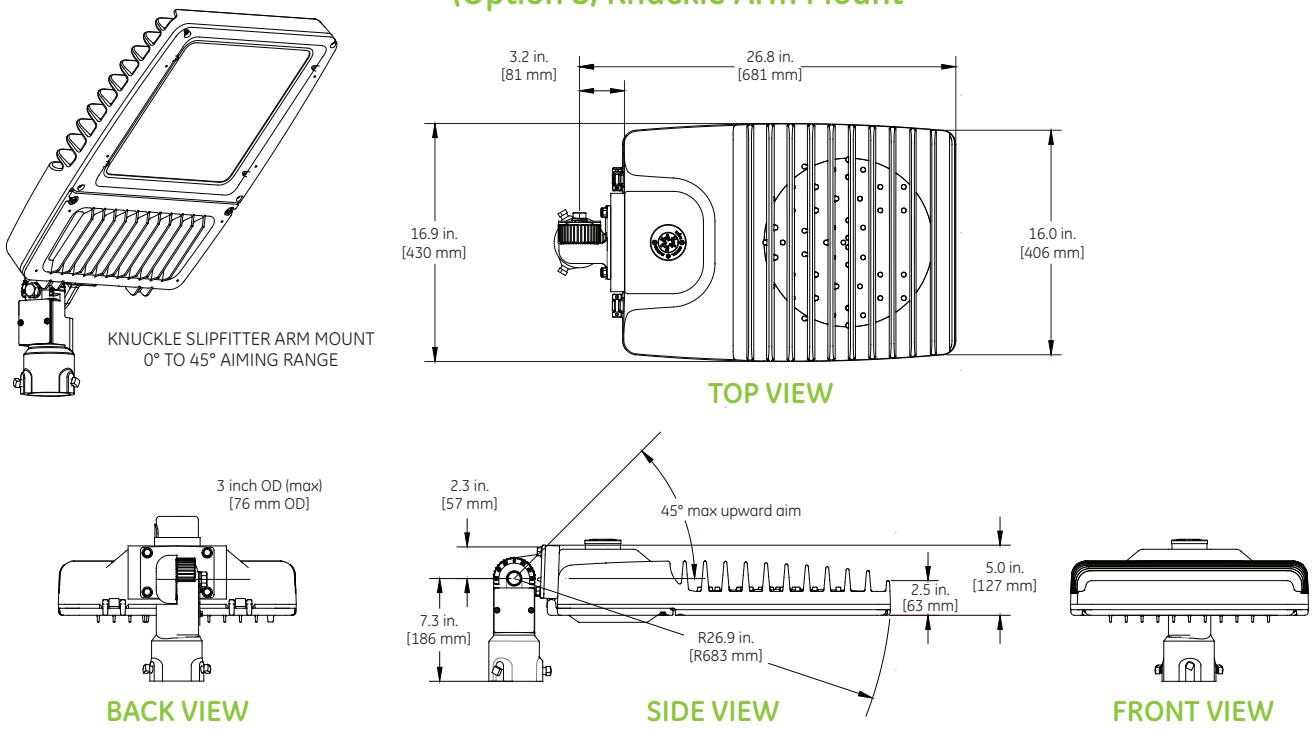
# Product Dimensions

## (Option C) Slipfitter Arm Mount



- DATA**
- Approximate net weight: 41-45 lbs (18.60 - 20.41 kgs)  
Contact manufacturer for specific configuration weight.
  - Effective Projected Area (EPA) with Slipfitter: 0.47 sq ft max (0.04 sq m)

## (Option S) Knuckle Arm Mount



- DATA**
- Approximate net weight: 41-45 lbs (18.60 - 20.41 kgs)  
Contact manufacturer for specific configuration weight.
  - Effective Projected Area (EPA) with fixture mounted at 45° upward: 1.97 sq ft max

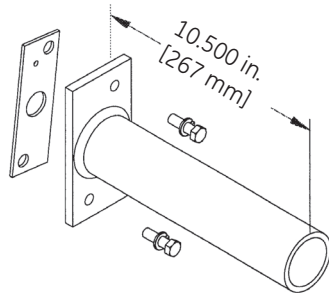
# Mounting Information

## Mounting Arms for Slipfitter

Order separately with Mounting Option C (External Slipfitter)

### SQUARE POLE MOUNTING ARM

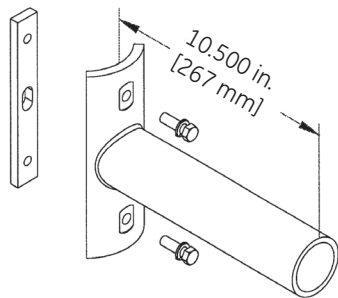
3.5 TO 4.5-inch (89 to 114mm) SQUARE  
(WILL ALLOW 4 FIXTURES PER POLE @ 90 DEGREES.)



ORDER SEPARATELY FROM FIXTURE AS CATALOG NUMBER  
**SPA-EAMT10BLCK "Black"**  
**SPA-EAMT10DKBZ "Dark Bronze"**

### ROUND POLE MOUNTING ARM

3.5 TO 4.5-inch (89 to 114mm) OD  
(WILL ALLOW 4 FIXTURES PER POLE @ 90 DEGREES.)



ORDER SEPARATELY FROM FIXTURE AS CATALOG NUMBER  
**RPA-EAMT10BLCK "Black"**  
**RPA-EAMT10DKBZ "Dark Bronze"**

## Wall Mounting Bracket Adapter Plate

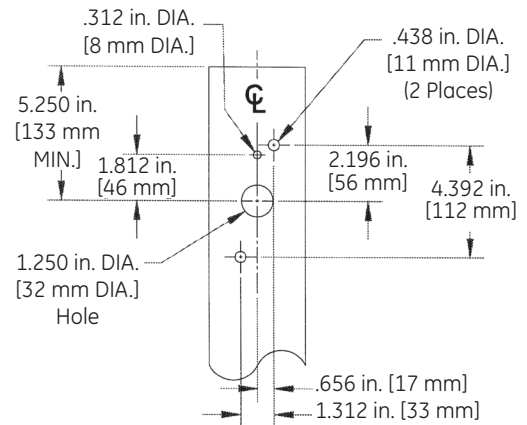
ORDER SEPARATELY FROM FIXTURE AS CATALOG NUMBER  
**WMB-EAMT06**

**\*NOTE: For Wall Mounting, order luminaire with mounting arm: C = EXT Slip-fitter 2" Pipe (2.378 in. OD) supplied with leads.**

Other mounting patterns are available for retrofit installations.  
Contact manufacturing for other available mounting patterns.

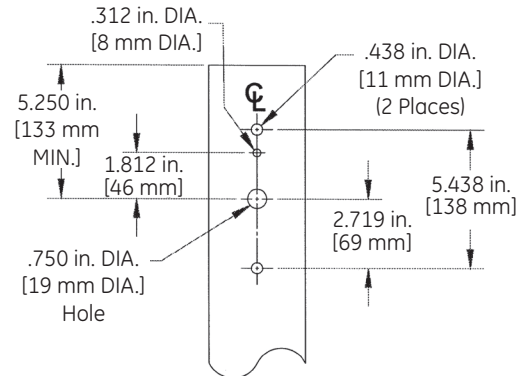
## Drilling Templates for Slipfitter Arms & Arm Mount

### SQUARE POLE MOUNTING



### ROUND POLE MOUNTING

3.5 TO 4.5-inch (89 to 114mm) OD  
round pole mounting arm



www.gelighting.com

GE and the GE Monogram are trademarks of the General Electric Company. All other trademarks are the property of their respective owners. Information provided is subject to change without notice. All values are design or typical values when measured under laboratory conditions. GE Lighting is a business of the General Electric Company.  
© 2016 GE.

OLP3090 (Rev 02/22/16)

# Evolve™ LED Area Light

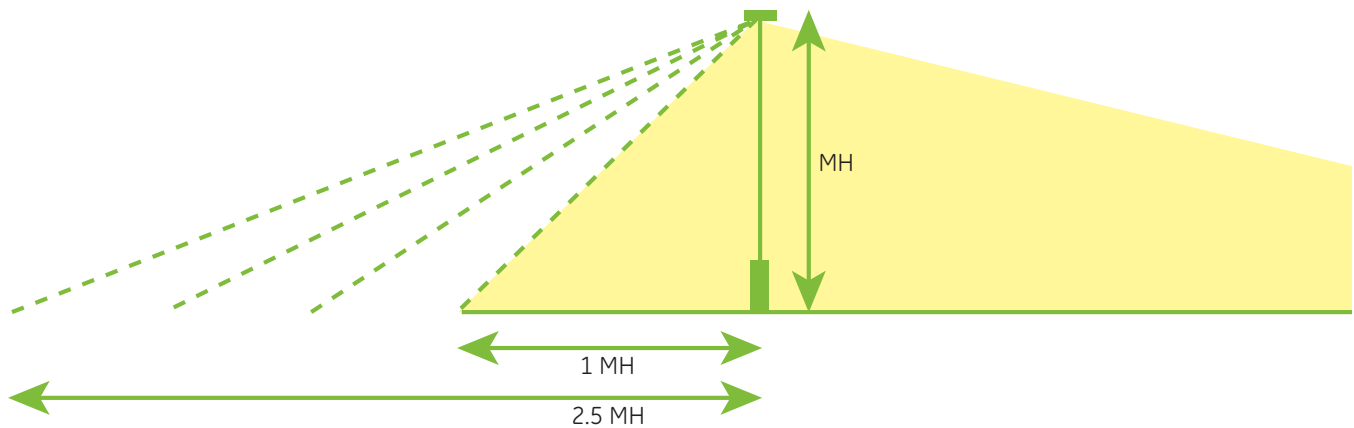
## Shielding for EAS Area Light Fixtures

The next evolution of the GE Evolve™ LED Area Light delivers even better trespass control. GE's exclusive reflective optical ring design produces superior vertical illuminance and efficiently directs the light without wasteful and unwelcomed light spill into neighboring properties. Due to the extensive variation of parking lot configurations coupled with tightening ordinances, GE now offers a full array of shielding to accommodate challenging sites.

The shielding options available for the GE Evolve Area Light focus on the following applications:

- Left and Right cutoff
- Front cutoff
- Backlight control and B-U-G improvement

Within each of the shielding families, there are multiple shielding cutoff levels that are categorized in mounting height (MH) increments. GE accommodates cutoff distance from the pole from 1MH to 2.5 MH in 0.5 MH increments. The shields that are listed are for the most common applications. Please contact the manufacturer if your need is not listed.



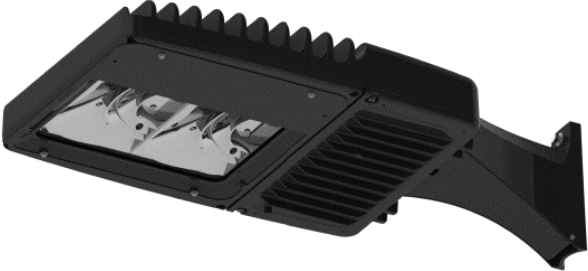
All shields can be installed easily in the field. The next evolution of the GE Evolve LED Area Light and shielding options will help you meet any parking lot challenge.



# EAS Shielded Fixture Examples



Single Module Left/Right Shield



Double Module Left/Right Shield



Single Module Front Shield



Double Module Front Shield



Single Module Back Shield



Double Module Back Shield

## Type V Shielding

Shield Orientation	Cutoff Distance	Fixture Type	Shield Order Logic
Any Side	0.5	2 Module	ELS-EASX-MS1-BLCK
	1		ELS-EASX-MS2-BLCK
	1.5		ELS-EASX-MS3-BLCK
	2		ELS-EASX-MS4-BLCK
	2.5		ELS-EASX-MS5-BLCK
Any Side	0.5	2 Module	ELS-EASX-SS1-BLCK
	1		ELS-EASX-SS2-BLCK
	1.5		ELS-EASX-SS3-BLCK
	2		ELS-EASX-SS4-BLCK
	2.5		ELS-EASX-SS5-BLCK

## Type IV Shielding

Shield Orientation	Cutoff Distance	Fixture Type	Shield Order Logic
Front	1	2 Module	ELS-EASX-FF2-BLCK
	1.5		ELS-EASX-FF3-BLCK
	2		ELS-EASX-FF4-BLCK
	2.5		ELS-EASX-FF5-BLCK
Front	1	1 Module	ELS-EASX-RF2-BLCK
	1.5		ELS-EASX-RF3-BLCK
	2		ELS-EASX-RF4-BLCK
	2.5		ELS-EASX-RF5-BLCK
Side	0.5	2 Module	ELS-EASX-FS1-BLCK
	1		ELS-EASX-FS2-BLCK
	1.5		ELS-EASX-FS3-BLCK
	2		ELS-EASX-FS4-BLCK
	2.5		ELS-EASX-FS5-BLCK
Side	0.5	1 Module	ELS-EASX-RS1-BLCK
	1		ELS-EASX-RS2-BLCK
	1.5		ELS-EASX-RS3-BLCK
	2		ELS-EASX-RS4-BLCK
	2.5		ELS-EASX-RS5-BLCK
Back	short	2 Module	ELS-EASX-FBN-BLCK
	long		ELS-EASX-FBL-BLCK
Back	long	1 Module	ELS-EASX-RBL-BLCK

## Type III Shielding

Shield Orientation	Cutoff Distance	Fixture Type	Shield Order Logic	
Front	1	2 Module	ELS-EASX-WF2-BLCK	
	1.5		ELS-EASX-WF3-BLCK	
	2		ELS-EASX-WF4-BLCK	
	2.5		ELS-EASX-WF5-BLCK	
Front	1	1 Module	ELS-EASX-DF2-BLCK	
	1.5		ELS-EASX-DF3-BLCK	
	2		ELS-EASX-DF4-BLCK	
	2.5		ELS-EASX-DF5-BLCK	
Side	0.5	2 Module	ELS-EASX-WS1-BLCK	
	1		ELS-EASX-WS2-BLCK	
	1.5		ELS-EASX-WS3-BLCK	
	2		ELS-EASX-WS4-BLCK	
Side	2.5	2 Module	ELS-EASX-WS5-BLCK	
	0.5		1 Module	ELS-EASX-DS1-BLCK
	1			ELS-EASX-DS2-BLCK
	1.5			ELS-EASX-DS3-BLCK
2	ELS-EASX-DS4-BLCK			
Back	short	2 Module	ELS-EASX-WBN-BLCK	
	long		ELS-EASX-WBL-BLCK	
Back	long	1 Module	ELS-EASX-DBL-BLCK	

## Type II Shielding

Shield Orientation	Cutoff Distance	Fixture Type	Shield Order Logic
Side	0.5	2 Module	ELS-EASX-NS1-BLCK
	1		ELS-EASX-NS2-BLCK
	1.5		ELS-EASX-NS3-BLCK
	2		ELS-EASX-NS4-BLCK
	2.5		ELS-EASX-NS5-BLCK
Side	0.5	1 Module	ELS-EASX-AS1-BLCK
	1		ELS-EASX-AS2-BLCK
	1.5		ELS-EASX-AS3-BLCK
	2		ELS-EASX-AS4-BLCK
	2.5		ELS-EASX-AS5-BLCK
Back	short	2 Module	ELS-EASX-NBN-BLCK
	long		ELS-EASX-NBL-BLCK
Back	long	1 Module	ELS-EASX-ABL-BLCK



[www.gelighting.com](http://www.gelighting.com)

GE and the GE Monogram are trademarks of the General Electric Company. All other trademarks are the property of their respective owners. Information provided is subject to change without notice. All values are design or typical values when measured under laboratory conditions. GE Lighting and GE Lighting Solutions, LLC are businesses of the General Electric Company. © 2015 GE.

OLP3083 (Rev 06/08/15)

# Evolve™ LED Area Light

Scalable Fixture (EAS)



## BEFORE YOU BEGIN

Read these instructions completely and carefully.

Save these instructions for future use.

### ⚠ WARNING

**Risk of electrical shock.** Disconnect power before servicing or installing product.

### ⚠ WARNING

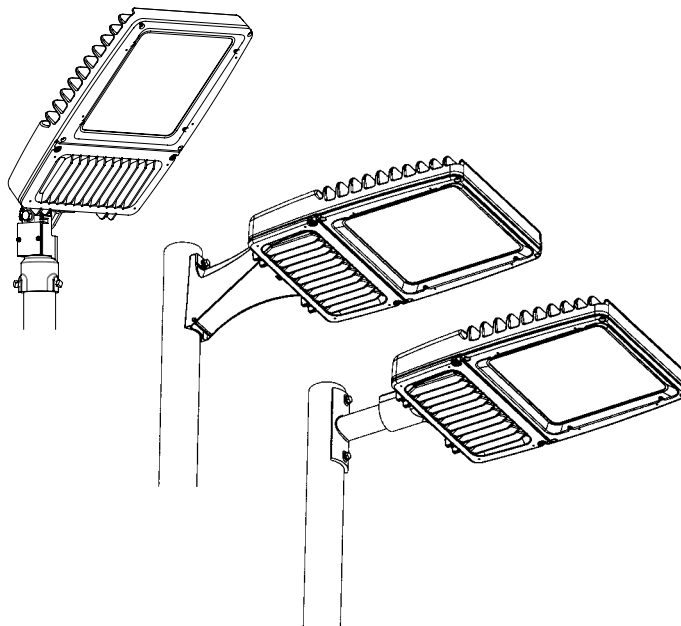
**Risk of injury or damage.** Unit will fall if not installed properly. Follow installation instructions.

### ⚠ CAUTION

**Risk of injury.** Wear safety glasses and gloves during installation and servicing.

This device complies with Part 15 of the FCC Rules. Operation is subject to the following two conditions: (1) This device may not cause harmful interference, and (2) this device must accept any interference received, including interference that may cause undesired operation. This Class [A] RFLD complies with the Canadian standard ICES-003. Ce DEFR de la classe [ A ] est conforme à la NMB-003 du Canada.

Note: This equipment has been tested and found to comply with the limits for a Class A digital device, pursuant to part 15 of the FCC Rules. These limits are designed to provide reasonable protection against harmful interference when the equipment is operated in a commercial environment. This equipment generates, uses, and can radiate radio frequency energy and, if not installed and used in accordance with the instruction manual, may cause harmful interference to radio communications. Operation of this equipment in a residential area is likely to cause harmful interference in which case the user will be required to correct the interference at his own expense.



- This luminaire is designed for outdoor lighting service, and should not be used in areas of limited ventilation, or in high ambient temperatures.
- Best results will be obtained if installed and maintained according to the following recommendations.
- Luminaire is designed to operate in ambient temperatures ranging from -40°C to 50°C (-40°C to 35°C for >400W) and to be mounted horizontally to a vertical pole with LEDs facing down, or aimed up to 45° upward with a Knuckle slip fitter.

## SPECIFICATIONS

- Weight: Maximum weight <50 lbs (22.68 kg)
- EPA: Horizontal mounting: 0.97 sq ft max (0.09 sq M)  
45° mounting: 1.97 sq ft max (0.18 sq M)
- IP Rating: Optical 65, Standard Electrical Enclosure: UL 1598 Wet Location Rated



imagination at work

## 1 UNPACKING

- This luminaire has been properly packed so that no parts should have been damaged during transit.
- Inspect to confirm.

## 2 HANDLING

- Damage may occur if luminaire is improperly handled outside of pack.
- Do not impact or stack luminaire after removal from packaging.

## 3 MOUNTING

### ⚠ WARNING

**Risk of injury or damage.** Unit will fall if not installed properly. Follow installation instructions.

Follow the appropriate installation instructions based on your selected mounting method:

- Slipfitter Mounting
- Round Pole Architectural Arm Mounting
- Square Pole Architectural Arm Mounting
- Knuckle Slipfitter for 2 3/8 in. (60mm) OD Tenon (0 to 45° vertical aiming angle)

### 3a Slipfitter Mounting

This luminaire has been configured specifically to mount to a 2-inch pipe brackets (2-3/8" OD).

- Hold luminaire approximately level with pipe. Pull wires through arm and place slip fitter over 2-inch (51mm) pipe (2 3/8-inch (60mm) OD).
- Tighten the (4) slipfitter 3/8 bolts to 10-14 ft-lbs (14-19 N-m). Tighten jam nuts after bolts have been tightened. (See Figure 1)
- Inspect installation to ensure fixture is secure.

### ⚠ WARNING

Under no conditions should slipfitter bolts be torqued to a level greater than 14 foot pounds (19 N-m).

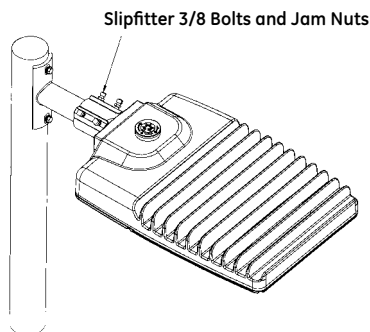


FIGURE 1

### 3b Round Pole Architectural Arm Mounting

This luminaire has been configured specifically to mount to round pole 3.5-4.5 inches (89-114mm) in diameter. Hole pattern on round pole shall be in accordance with Figure 2.

- Place fixture against pole.
- Install 3/8 bolt, lock washer and washer in top as shown and tighten into nut plate.
- Open arm door and install 3/8 bolt, lock washer and washer inside arm as shown and tighten into nut plate. (See Figure 3 and 4)
- Torque top and bottom bolts to 25 - 32 ft-lbs (34-43 N-m).
- Inspect installation to ensure fixture is secure.

### ⚠ WARNING

Under no conditions should architectural arm mounting bolts be torqued to greater than 32 ft-lbs. (43 N-m)

#### DRILLING TEMPLATE ROUND POLE MOUNTING 3.5 to 4.5 inch (89 to 114mm) OD round pole mounting arm.

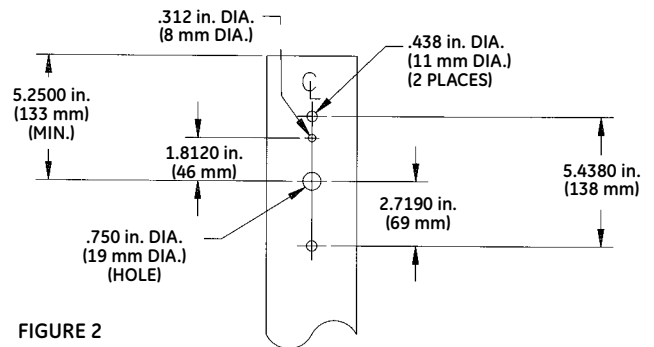


FIGURE 2

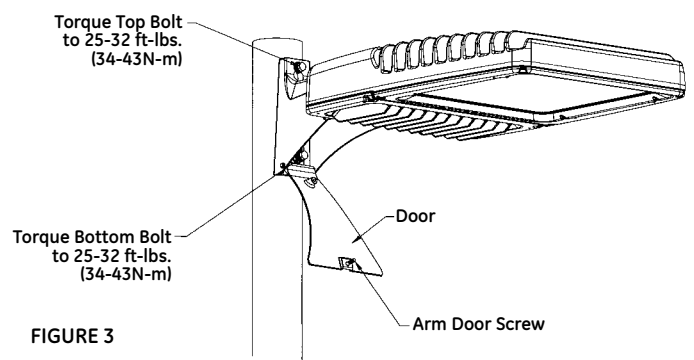


FIGURE 3

#### Section view: Round Pole Mounting Architectural Arm with Door

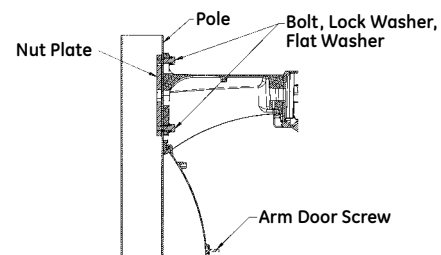


FIGURE 4

### 3c Square Pole Architectural Arm Mounting

This luminaire has been configured the same as 3b and an adapter plate has been included to mount to a square pole. Hole pattern on square pole shall be in accordance with Figure 5.

- Orient adapter block so that oval shaped through hole is closer to top than bottom of adapter.
- With adapter block end oriented properly, mount adapter block to pole with the nut plate and 3/8-16 bolts and washer supplied as shown. Torque 3/8-16 bolts to 25 - 32ft-lbs (34-43 N-m). (See Figure 6)
- Place fixture against adapter block.
- Install 3/8 bolt, lock washer and washer in top as shown and tighten into adapter block. (See Figure 7)
- Open arm door and Install 3/8 bolt into tapped hole of adapter block. (See Figure 7)
- Torque top and bottom bolts to 25 - 32 ft-lbs (34-43 N-m).
- Inspect installation to ensure fixture is secure.

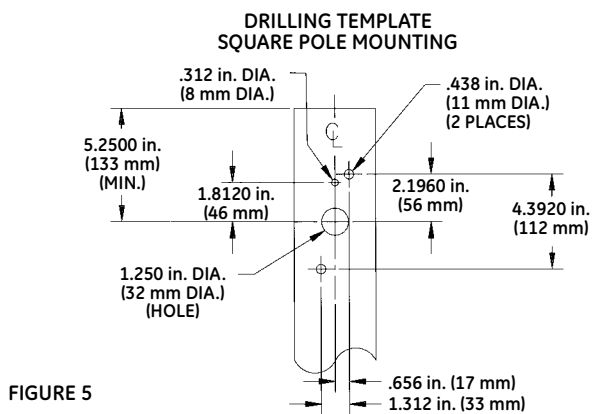


FIGURE 5

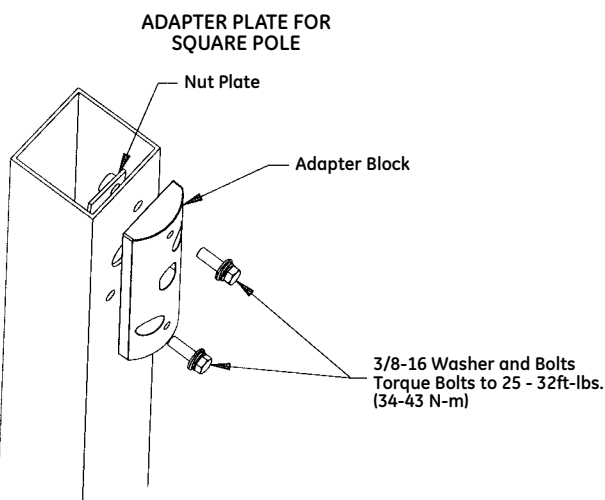


FIGURE 6

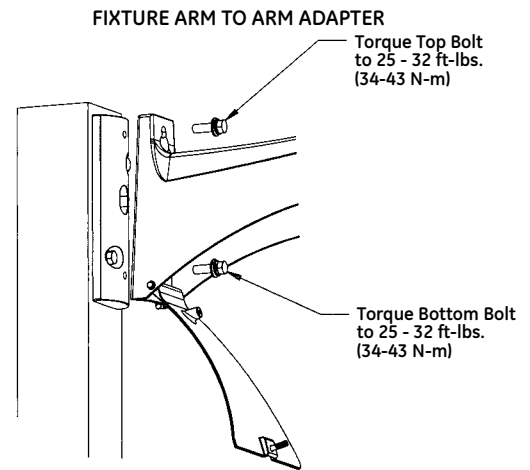
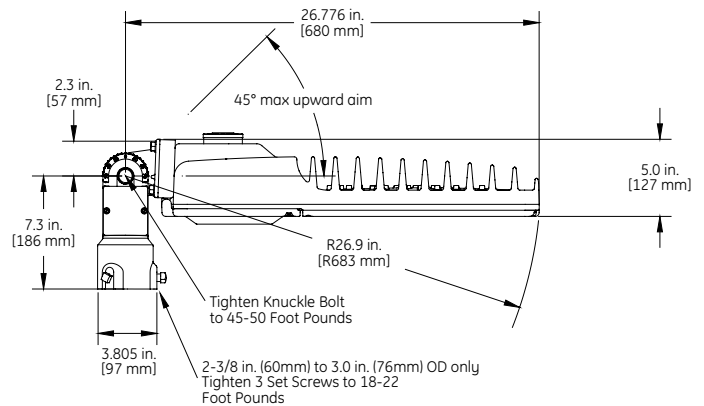


FIGURE 7

### 3d Knuckle Slipfitter for 2-3/8 in. (60mm) to 3.0 in. (76mm) OD Tenon

This luminaire has been configured specifically to provide 0 to 45° vertical aiming in 5° increments and mount on 2-3/8-inch O.D. (73mm) through 3-inch O.D. (76mm) pipe.

- Place slipfitter on the tenon.
- Three set screws are used to clamp the floodlight securely to the pipe. Tighten set screws to 18-22 foot pounds (24-30 N-m).
- To aim the luminaire, loosen the knuckle bolt, adjust the aim 0 to 45°, and tighten to 45-50 ft-lbs (61-68 N-m).
- Inspect installation to ensure fixture is secure.



## 4 WIRING

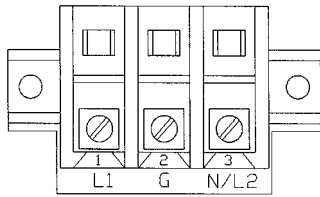
### CAUTION

**Risk of Damage or Injury:** Door should be closed with screw until fixture in final location.

- **NOTE:** Make all electrical connections in accordance with the National Electrical Code and any applicable local code requirements.
- Strain relief for incoming power must be provided in the pole top by the customer.
- Supply Wire Type and Size, for Customer Connection to Terminal Board: 16 AWG (1.5mm<sup>2</sup>) to 6 AWG (10mm<sup>2</sup>) Solid or Stranded.

#### Terminal Board Connections:

Terminal Board Position	Supply Type
L1	High Line
G	Ground
N/L2	Low Line/Neutral



- **NOTE:** Verify that supply voltage is correct by comparing it to nameplate inside door or on carton.

#### Photoelectric Control:

- (If option present)—Photoelectric control receptacle should be oriented before control is installed.
- Loosen the two holding screws and rotate receptacle until “North” is directed as near as possible to true North.
- Verify that the grommet under the PE receptacle is seated and that there are no gaps that will allow water to enter the fixture from under the PE receptacle.
- Tighten holding screws and install control.

#### Electrical Connection:

- Connect Luminaire wire leads to supply wire.
- Connections are to be made in interior of pole.
- Replace pole cap. A wiring diagram is provided on a label inside luminaire for reference.
- For units without leads, connections may be made to terminal board inside fixture.
- Note that care should be exercised not to pinch leads between door and housing when closing the door.

#### External Dimming Control (If Applicable):

- Gray Lead = 0VDC (-)
- Violet Lead = Up To 10VDC (+)

Dimming Input/Output		
Control Voltage <sup>1</sup>	Low(0-1.25V)	High(7.5-10V)
Nominal Input Wattage <sup>2</sup>	10% of Max	100%
Nominal Lumen Output <sup>2</sup>		

- <sup>1</sup> Linear Transition between Low and High
- <sup>2</sup> Component and system tolerance may affect the end point levels and linearity of transition

These instructions do not purport to cover all details or variations in equipment nor to provide for every possible contingency to be met in connection with installation, operation or maintenance. Should further information be desired or should particular problems arise which are not covered sufficiently for the purchaser's purposes, the matter should be referred to GE Lighting.

#### PE Dimming Control (If Applicable):

- No external connections for Dimming are required when the GE Dimming PE Control and GE Dimming PE Receptacle is used.
- All dimming control connections will be made between the Dimming PE and Luminaire through the included PE Receptacle.
- Refer to instructions included with GE Dimming PE Control regarding appropriate settings for dimming control.

#### Occupancy Sensor (optional):

- The programmable occupancy sensor is shipped with a default program which may be modified using the button on the sensor.
- The sensor has a separate set of instructions on programming which is included.

## 5 MAINTENANCE / CLEANING

### ⚠ WARNING

**Risk of electric shock.** Make certain power is off before attempting any maintenance.

- To maintain high efficiency of the lens, occasional cleaning of the outer lens surface may be needed, with frequency dependent on local conditions.
- Use a mild soap or detergent, which is essentially neutral pH (pH approximately 6 to 8), nonabrasive, and which contains no chlorinated or aromatic hydrocarbons.
- Wash thoroughly, using a soft cloth.
- Rinse with clean, cold water and wipe dry.

## 6 STORAGE

- Prior to installation, units should NOT be stored outside in corrugated boxes (cardboard boxes) alone.
- Until installation, all units should be placed in a covered dry storage area. The storage area should not exceed -40°C (-40°F) to 50°C (122°F).
  - This can be preferably in a roofed area or with a tarp that is secured in such a way to keep water off of the corrugated boxes (cardboard boxes).



GE Lighting • 1-888-MY-GE-LED (1 - 888 - 69 - 43 - 533) • [www.gelighting.com](http://www.gelighting.com)

GE Lighting is a subsidiary of the General Electric Company. Evolve and the GE brand and logo are trademarks of the General Electric Company.  
© 2014 GE Lighting. Information provided is subject to change without notice. All values are design or typical values when measured under laboratory conditions.

# Luminaire de zone à DEL Evolve™

Appareil d'éclairage évolutif (EAS)



## AVANT DE COMMENCER

Lisez attentivement toutes ces instructions.  
Conservez ces instructions pour référence future.

### ⚠ AVERTISSEMENT

**Risque de choc électrique.** Déconnectez l'alimentation électrique avant d'installer ou réparer ce produit.

### ⚠ AVERTISSEMENT

**Danger de blessure et de dommage matériel.** L'appareil tombera au sol s'il est mal installé. Suivez les instructions d'installation.

### ⚠ ATTENTION

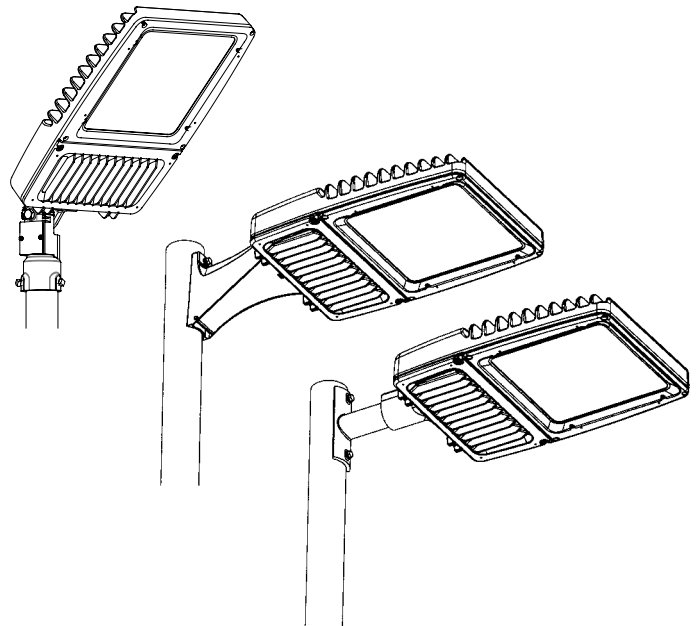
**Danger de blessure.** Lors de l'installation et de la réparation de cet appareil, porter des lunettes et des gants de sécurité.

Cet appareil est conforme aux exigences de la partie 15 des règles de la FCC. Son utilisation est soumise aux conditions suivantes : (1) cet appareil ne doit pas causer d'interférences nuisibles; (2) cet appareil doit accepter toutes les interférences reçues, y compris celles pouvant causer un fonctionnement indésirable. Ce DEFR de la classe [ A ] est conforme à la NMB-003 du Canada.

Remarque : Cet appareil a été testé et reconnu conforme aux limites établies pour les appareils numériques de classe A, selon la partie 15 des règles de la FCC. Ces limites sont conçues pour assurer une protection raisonnable contre les interférences nuisibles dans un environnement commercial. Cet appareil génère, utilise et émet de l'énergie sous forme de radiofréquences, de sorte que si son installation et son utilisation ne sont pas conformes à la notice d'utilisation, il peut être la cause de parasites nuisibles aux communications radio. L'utilisation de cet équipement dans une zone résidentielle risque fort de causer des interférences nuisibles, auquel cas l'utilisateur devra corriger le problème à ses propres frais.



imagination at work



- Ce luminaire a été conçu pour une utilisation à l'extérieur et ne doit pas être employé sur un site mal ventilé ni dans un endroit clos dont la température ambiante peut être élevée.
- Pour obtenir des performances optimales, il doit être installé et entretenu conformément aux recommandations suivantes.
- Ce luminaire a été conçu pour fonctionner à des températures ambiantes allant de -40°C à 50°C (-40°C à 35°C pour >400W) et doit être installé horizontalement à un poteau vertical de manière à ce que les diodes soient orientées vers le bas, ou incliné vers le haut à 45° avec un adaptateur d'emboîtement.

## SPÉCIFICATIONS

- Poids : Poids maximum < 50 lb (22,68 kg)
- EPA : Montage horizontal : 0,97 pi<sup>2</sup> max (0,09 m<sup>2</sup>)  
Montage à 45° : 1,97 pi<sup>2</sup> max (0,18 m<sup>2</sup>)
- Classification IP : Module optique 65, boîtier électrique standard : Homologation UL 1598 pour environnement mouillé

## 1 DÉBALLAGE

- Ce luminaire a été soigneusement emballé pour qu'aucune pièce ne subisse de dommages durant le transport.
- Procédez à une inspection pour vous en assurer.

## 2 MANUTENTION

- Si le luminaire est incorrectement manipulé hors de son emballage, il risque d'être endommagé.
- Lorsque le luminaire est sorti de son emballage, il ne doit pas recevoir le moindre coup ni être empilé.

## 3 ASSEMBLAGE

### ⚠ AVERTISSEMENT

**Danger de blessure et de dommage matériel.** L'appareil tombera au sol s'il est mal installé. Suivez les instructions d'installation.

Sélectionnez les instructions d'installation correspondant à la méthode de montage applicable :

- Montage sur joint coulissant
- Montage avec bras architectural sur poteau rond
- Montage avec bras architectural sur poteau carré
- Adaptateur d'emboîtement pour tenon OD 2-3/8 po. (60 mm) (angle d'inclinaison verticale de 0 à 45°)

### 3a Montage sur joint coulissant

Ce luminaire a été spécialement configuré pour être monté sur des supports de tuyaux de 2 pouces (D. E. 2 3/8 po).

- Tenez le luminaire approximativement au niveau par rapport au tuyau. Faites passer les fils dans le bras et placez le joint coulissant sur le tuyau de 2 pouces (51 mm) (D. E. 2 3/8 po / 60 mm).
- Serrez les quatre boulons de 3/8 po sur le joint coulissant au couple de 10-14 lb-pi (14-19 Nm). Après le serrage des boulons, serrez les contre-écrous (voir la figure 1).
- Vérifiez la solidité de l'installation.

### ⚠ AVERTISSEMENT

Les boulons du joint coulissant ne doivent jamais être serrés avec un couple dépassant 14 lb pi (19 Nm).

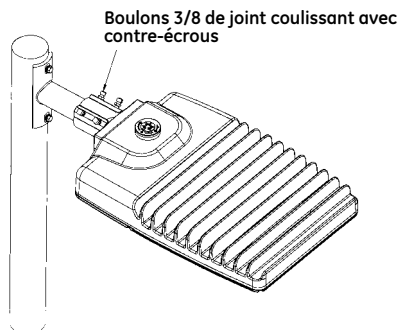


FIGURE 1

### 3b Montage avec bras architectural sur poteau rond

Ce luminaire a été spécialement configuré pour être monté sur un poteau ayant un diamètre de 3,5 po à 4,5 po (89-114 mm). La configuration des trous sur le poteau rond doit être conforme à la Figure 2.

- Placez le luminaire contre le poteau.
- Installez le boulon de 3/8 po, la rondelle de frein et la rondelle plate dans le haut (conformément à l'illustration) et serrez dans la plaque d'écrou.
- Ouvrez le volet du bras et installez le boulon de 3/8 po, la rondelle de frein et la rondelle plate dans le bras (conformément à l'illustration) et serrez dans la plaque d'écrou (voir les figures 3 et 4).
- Serrez les boulons du haut et du bas au couple de 25-32 lb-pi (34-43 Nm).
- Vérifiez la solidité de l'installation.

### ⚠ AVERTISSEMENT

Les boulons de montage du bras architectural ne doivent jamais être serrés avec un couple dépassant 32 lb pi (43 Nm).

#### GABARIT DE PERFORATION MONTAGE SUR POTEAU ROND

Bras de montage sur poteau rond avec D.E. de 3,5 à 4,5 po (89 à 114 mm)

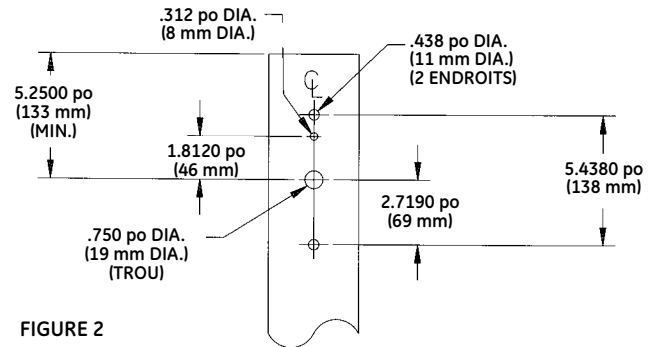


FIGURE 2

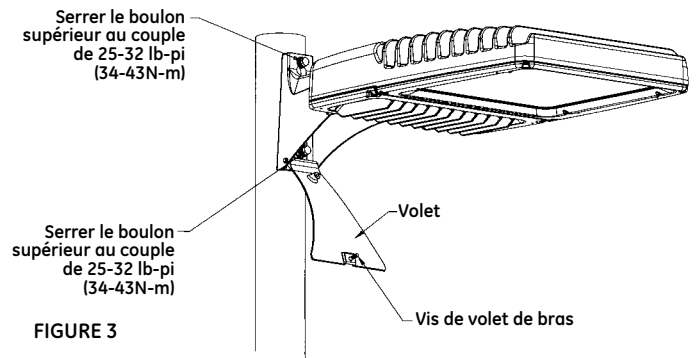


FIGURE 3

#### Vue en coupe : Montage sur poteau rond Bras architectural avec volet

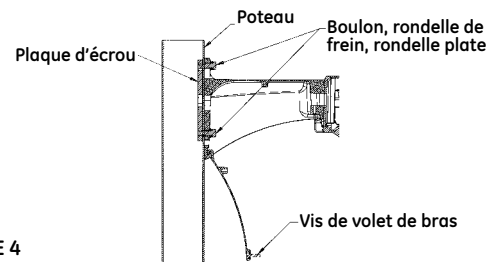


FIGURE 4

### 3c Montage avec bras architectural sur poteau carré

Ce luminaire a été configuré comme celui du paragraphe 3b et une plaque adaptatrice a été ajoutée pour permettre une installation sur un poteau carré. La configuration des trous sur le poteau carré doit être conforme à la Figure 5.

- Orientez la plaque adaptatrice afin que le trou ovale soit plus près du haut que du bas de la plaque.
- Après avoir vérifié l'orientation de l'extrémité de la plaque adaptatrice, installez la plaque sur le poteau avec l'aide de la plaque d'écrou, des boulons 3/8-16 et des rondelles incluses, conformément à l'illustration. Serrez les boulons 3/8-16 au couple de 25-32 lb-pi (34-43 Nm) (voir la figure 6).
- Placez le luminaire contre la plaque adaptatrice.
- Installez le boulon de 3/8 po, la rondelle de frein et la rondelle plate dans le haut (conformément à la figure 7) et serrez dans la plaque d'écrou.
- Ouvrez le volet de bras et installez un boulon de 3/8 po dans le trou fileté du bloc adaptateur (voir la figure 7).
- Serrez les boulons du haut et du bas au couple de 25-32 lb-pi (34-43 Nm).
- Vérifiez la solidité de l'installation.

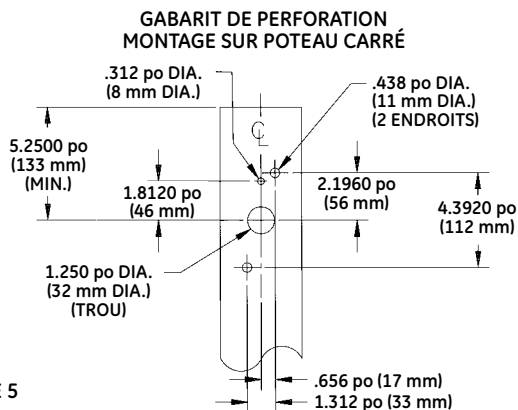


FIGURE 5

#### PLAQUE ADAPTATRICE POUR POTEAU CARRÉ

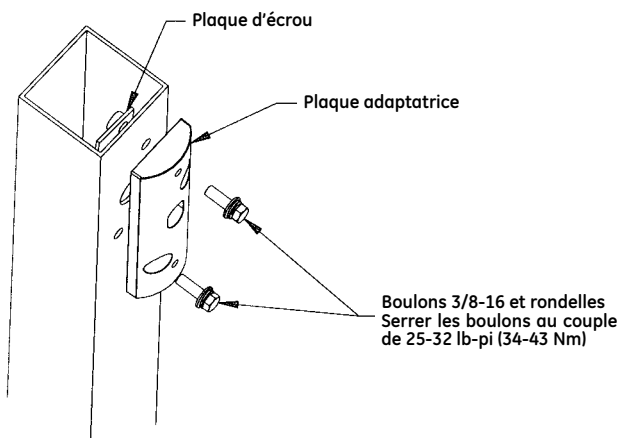


FIGURE 6

#### BRAS DU LUMINAIRE SUR ADAPTATEUR

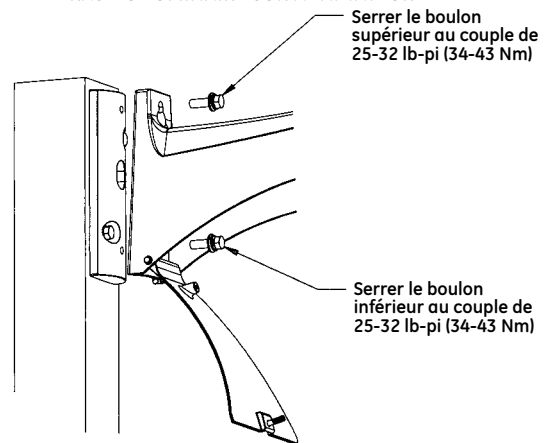
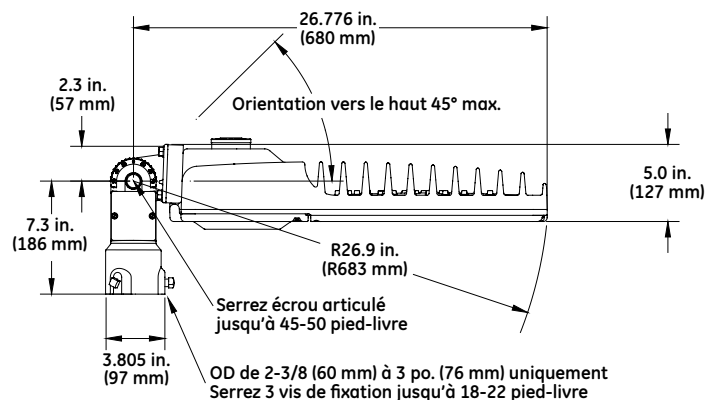


FIGURE 7

### 3d Adaptateur d'emboîtement pour OD tenon de 2-3/8 po. (60 mm) à 3 po. (76 mm)

Ce luminaire a été spécifiquement configuré pour fournir une inclinaison verticale de 0 à 45° par incréments de 5° et se monter sur un tuyau OD de 2-3/8-po. (73 mm) à 3 po. (76 mm).

- Placez l'adaptateur d'emboîtement sur le tenon.
- On utilise trois vis de fixation pour solidement fixer le projecteur au tuyau. Serrez les vis de fixation jusqu'à 18-22 pied-livre (24-30 N-m).
- Pour orienter le luminaire, desserrez l'écrou articulé, ajustez l'orientation entre 0 et 45° et vissez jusqu'à 45-50 pied-livre (61-68 N-m).
- Vérifiez la solidité de l'installation.



## 4 CÂBLAGE

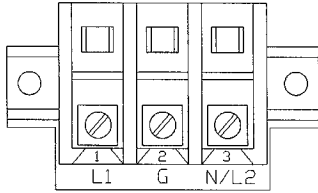
### ATTENTION

**Danger de blessure et de dommage matériel.** Le volet doit être fermé avec sa vis jusqu'à ce que le luminaire soit à son emplacement final.

- **REMARQUE:** Toutes les connexions doivent être conformes aux normes électriques nationales et à la réglementation locale en vigueur (code électrique du Canada et réglementation locale applicable).
- Un dispositif anti-tension doit être installé par le client sur le câble d'alimentation en haut du poteau.
- Type et taille du câble d'alimentation (pour connexion par le client sur plaque de connexions) : 16 AWG (1,5mm<sup>2</sup>) à 6 AWG (10mm<sup>2</sup>) plein ou tressé.

### Connexions de la plaque de connexions :

Position sur la plaque de connexions	Type d'alimentation
L1	Ligne de phase
G	Terre
N/L2	Ligne basse/neutre



- **REMARQUE:** Assurez vous que la tension électrique est adéquate en vérifiant la plaque signalétique à l'intérieur du volet ou sur la boîte.

### Commande photoélectrique :

- (Si l'option est choisie) Le réceptacle de la commande peut être orienté avant d'installer la commande.
- Desserrez les deux vis de retenue et faites tourner le réceptacle jusqu'à ce que l'inscription « North » soit orientée le plus près possible du nord véritable.
- Assurez-vous que la douille sous le réceptacle de commande photoélectrique est bien appuyée et qu'il n'existe aucun espace d'infiltration d'eau sous le réceptacle.
- Serrez les vis de retenue et installez la commande.

### Branchements électriques :

- Connectez les fils conducteurs du luminaire au câble d'alimentation.
- Les connexions doivent être faites à l'intérieur du poteau.
- Réinstallez le capuchon du poteau. Un schéma de câblage figure sur une étiquette à l'intérieur du luminaire pour référence.
- Si vous utilisez un joint sans fils conducteurs, les connexions peuvent être faites sur la plaque de connexions à l'intérieur du luminaire.
- Faites attention de ne pas pincer les fils entre le volet et le boîtier lorsque vous fermez le volet.

### Gradateur externe (si applicable) :

- Fil gris = 0 V c.c. (-)
- Fil violet = Jusqu'à 10 V c.c. (+)

Gradation, entrée/sortie		
Tension de commande <sup>1</sup>	Basse (0-1.25V)	Élevée (7.5-10V)
Puissance nominale d'entrée <sup>2</sup>	10% du Maxi	100%
Sortie nominale en lumens <sup>2</sup>		

- <sup>1</sup> Transition linéaire entre basse et élevée
- <sup>2</sup> Les tolérances des composants et du système peuvent affecter les niveaux de point final et la linéarité de la transition

Ces instructions n'ont pas pour but de couvrir tous les détails et toutes les variantes de l'équipement, ni de répondre à tous les impondérables possibles en relation avec l'installation, le fonctionnement et l'entretien. Si vous désirez plus d'informations ou si des problèmes particuliers surviennent qui ne sont pas couverts suffisamment pour les besoins de l'acheteur, le sujet doit être soumis à GE Lighting.

### Gradateur photoélectrique (si applicable)

- Aucune connexion externe de gradation n'est nécessaire lorsque la commande de gradateur PE et le réceptacle de gradateur PE de GE sont utilisés.
- Toutes les connexions de commande de gradation seront réalisées entre le gradateur PE et le luminaire via le réceptacle PE inclus.
- Lire les instructions incluses avec la commande de gradateur PE de GE concernant les réglages appropriés de la commande de gradateur.

### Détecteur de présence (en option) :

- Le détecteur de présence programmable est expédié avec une programmation par défaut que l'on peut modifier à l'aide du bouton situé sur le détecteur.
- Le détecteur est fourni avec des instructions de programmation séparées.

## 5 ENTRETIEN ET NETTOYAGE

### ⚠ AVERTISSEMENT

**Risque de choc électrique.** Avant de commencer toute opération d'entretien, assurez-vous que l'alimentation électrique est coupée.

- Pour conserver l'efficacité de la lentille, nettoyez périodiquement la surface extérieure de la lentille (la fréquence des nettoyages dépendra des conditions locales).
- Utilisez un savon doux ou un détergent essentiellement neutre (ayant un pH d'environ 6 à 8), sans abrasif et sans hydrocarbure chloré ou aromatique.
- Lavez à fond avec la solution de nettoyage en utilisant un chiffon doux.
- Rincez avec de l'eau froide et propre, puis essuyez.

## 6 ENTREPOSAGE

- Avant leur installation, les luminaires ne doivent PAS être entreposés à l'extérieur dans de simples boîtes en carton.
- Jusqu'à leur installation, tous les luminaires doivent être conservés dans un lieu de stockage couvert et sec. La température du site de stockage doit se situer entre -40 °C et 50 °C (-40 °F et 122 °F).
  - Conservez-les préférablement sous un toit ou sous une bâche installée solidement de façon à ce que l'eau ne puisse atteindre les boîtes en carton.



GE Lighting • 1-888-MY-GE-LED (1 - 888 - 69 - 43 - 533) • [www.gelighting.com](http://www.gelighting.com)

GE Lighting est une filiale de la General Electric Company. Evolve ainsi que la marque et le logo GE sont des marques commerciales déposées de la General Electric Company. © 2014 GE Lighting. Les informations fournies ici sont susceptibles de changer sans préavis. Toutes les données sont des valeurs de conception ou caractéristiques lors de leur mesure en conditions de laboratoire.

# Lámpara de Área Evolve™ LED

Lámpara Escalable (EAS, por sus siglas en inglés)



## ANTES DE EMPEZAR

Lea estas instrucciones por completo y detenidamente. Guarde estas instrucciones para uso futuro.

### ⚠ ADVERTENCIA

**Riesgo de descarga eléctrica.** Desconecte la fuente de energía antes de dar mantenimiento o al instalar el producto.

### ⚠ ADVERTENCIA

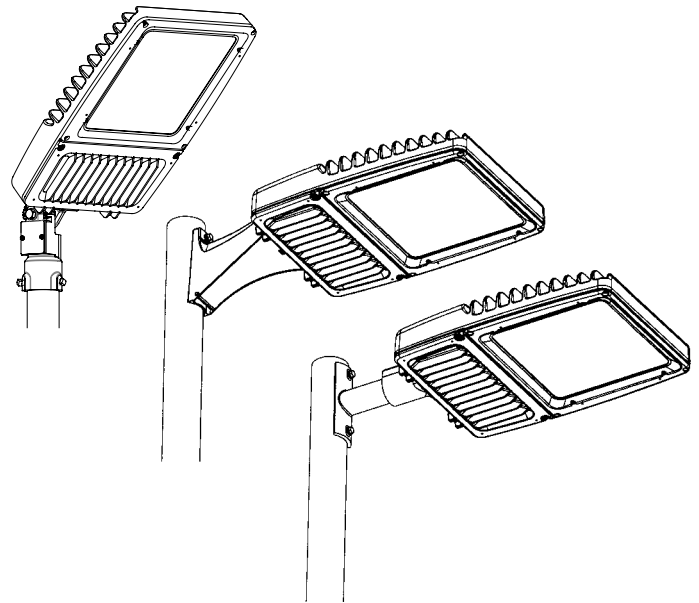
**Riesgo de lesiones o daño.** La unidad caerá si no es instalada apropiadamente. Siga las instrucciones de instalación.

### ⚠ ADVERTENCIA

**Riesgo de lesiones.** Use gafas de protección y guantes durante instalación y servicio.

Este aparato cumple con Parte 15 de las Reglas FCC. Su operación está sujeta a las siguientes dos condiciones: (1) Este aparato no puede causar interferencia perjudicial, y (2) este aparato debe aceptar cualquier interferencia recibida, incluyendo interferencia que pueda causar una operación no deseada. Esta Clase [A] RFLD cumple con el estándar Canadiense ICES-003. Ce DEFR de la clase [ A ] est conforme à la NMB-003 du Canada.

Nota: Este equipo ha sido probado y cumple con los límites para la Clase A de aparatos digitales, conforme a la parte 15 de las Reglas FCC. Estos límites están diseñados para proveer protección necesaria para contrarrestar interferencia perjudicial cuando el equipo está en operación en un ambiente comercial. Este equipo genera, usa y puede irradiar energía de radio frecuencia y, si no es instalado y usado conforme a las instrucciones del manual, puede causar interferencia perjudicial a radiocomunicaciones. La operación de este equipo en una zona residencial probablemente causará interferencia perjudicial, en cual caso el usuario deberá corregir por su propia cuenta.



- La luminaria está diseñada para iluminación exterior, y no deberá ser usada en áreas con ventilación limitada, o a altas temperaturas ambientales.
- Para mejores resultados instale y mantenga de acuerdo con las siguientes recomendaciones.
- Las luminarias están diseñadas para operar en temperaturas ambiente de -40°C a 50°C (-40°C a 35°C para >400W) y para ser montada en posición horizontal a un poste vertical con los LEDs apuntando hacia abajo, o inclinados al alza hasta a 45° con la ayuda de un vástago desmontable articulado.

## ESPECIFICACIONES

- Peso: Peso máximo <50 libras (22.68 kg)
- Área Proyectada Efectiva (EPA, por sus siglas en inglés):  
Montaje horizontal: 0.97 pies<sup>2</sup> max (0.09 m<sup>2</sup>)  
Montaje a 45°: 1.97 pies<sup>2</sup> max (0.18 m<sup>2</sup>)
- Grado IP: IP65 óptico, caja de protección eléctrica estándar:  
UL 1598 Especificado para entorno húmedo



imagination at work

# 1 DESEMPAQUE

- Esta luminaria ha sido empacada adecuadamente para que ninguna parte se dañe durante su envío.
- Inspeccione para confirmar su estado.

# 2 MANEJO

- Daños pueden ocurrir si la luminaria se maneja inadecuadamente fuera de su empaque.
- No golpee o almacene la luminaria después de haberla removido de su empaque.

# 3 MONTAJE

## ⚠ ADVERTENCIA

Riesgo de lesión o daño. La unidad caerá si no es instalada apropiadamente. Siga las instrucciones de instalación.

Siga las instrucciones de instalación apropiadas de acuerdo al método de montaje elegido:

- Montaje de Vástago Desmontable
- Montaje con Brazo Arquitectónico para Poste Redondo
- Montaje con Brazo Arquitectónico para Poste Cuadrado
- Vástago desmontable articulado para acoplamiento de 2- 3/8 pulg. (60mm) de diámetro exterior (0 a 45° inclinación vertical)

## 3a Montaje de Vástago Desmontable

Esta luminaria ha sido configurada específicamente para ser montada a un tubo de soporte de 2 pulgadas (2-3/8 pulgadas de diámetro total).

- Mantenga la luminaria aproximadamente a nivel del tubo de soporte. Jale los cables a través del brazo y coloque el vástago desmontable sobre el tubo (2-3/8 pulgadas 60 mm de diámetro total) de 2 pulgadas (51mm)
- Apriete los (4) tornillos 3/8 del vástago desmontable a 10-14 libras por pie (14-19 N-m). Apriete las tuercas después que los tornillos hayan sido apretados. (Vea Figura 1).
- Inspeccione la instalación para asegurarse que el equipo esté firmemente sujeto.

## ⚠ ADVERTENCIA

Bajo ninguna circunstancia se deberá apretar los tornillos con un nivel de torque mayor a 14 libras por pie (19 N-m).

Tornillos 3/8 y Tuercas del Vástago Desmontable

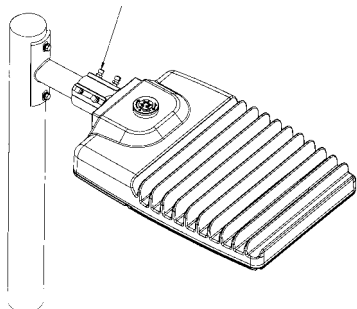


FIGURA 1

## 3b Montaje con Brazo para Poste Redondo

Esta luminaria ha sido configurada específicamente para ser montada a un poste redondo de 3.5 a 4.5 pulgadas (89-114 mm) de diámetro. La plantilla de perforación deberá ser igual a la Figura 2.

- Coloque la luminaria contra el poste.
- Instale las tuercas de 3/8, la arandela de seguridad y arandela en la parte superior como se muestra y apriete a la placa para tuerca.
- Abra la puerta del brazo e instale el tornillo de 3/8, la arandela de seguridad y arandela dentro del brazo como se muestra y apriete a la placa para tuerca. (Figura 3 y 4).
- Aplique torque de 25 a 32 libras por pie (42-43 N-m) a los tornillos superiores e inferiores.
- Inspeccione la instalación para asegurarse que el equipo esté firmemente sujeto.

## ⚠ ADVERTENCIA

Bajo ninguna circunstancia se deberá apretar los tornillos del brazo con un torque mayor a 32 libras por pie (43 N-m).

### PLANTILLA DE PERFORACIÓN MONTAJE EN POSTE REDONDO

Brazo de montaje para poste redondo de diámetro exterior de 3.5 a 4.5 pulgadas (89 a 114mm)

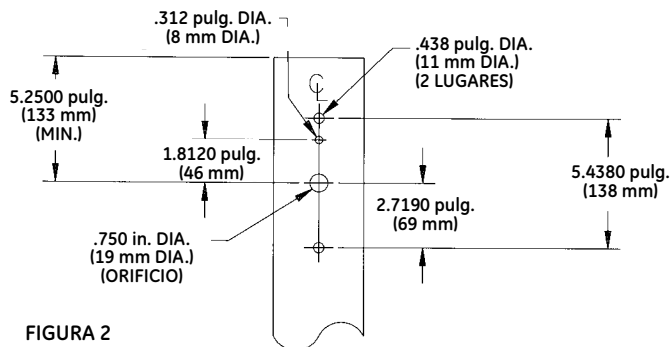


FIGURA 2

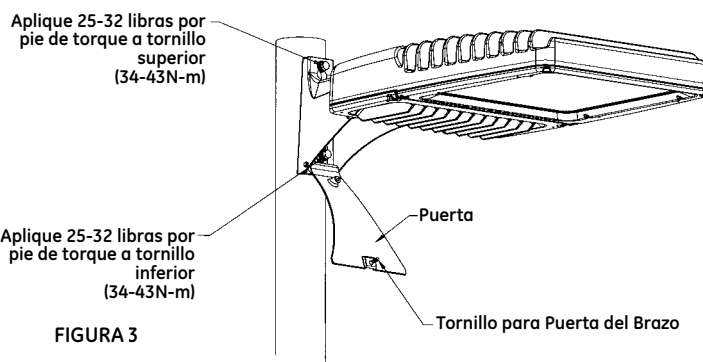


FIGURA 3

### Vista Seccional: Brazo para Montaje en Poste Redondo Brazo Arquitectónico con Puerta

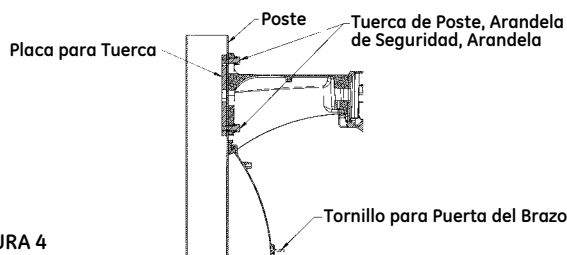


FIGURA 4

### 3c Montaje con Brazo para Poste Cuadrado

Esta luminaria está configurada igual que 3b y una placa adaptadora ha sido incluida para ser montada a un poste cuadrado. La plantilla de perforación deberá ser igual a la Figura 5.

- Oriente el bloque adaptador de manera que el hoyo ovalado esté más cercano a la parte superior que la inferior del adaptador.
- Con el borde del bloque adaptador correctamente orientado, monte el bloque adaptador al poste con la placa para tuerca y los tornillos de 3/8-16 y la arandela incluidos como se muestra. Aplique 25-32 libras por pie (34-43 N-m) de torque a los tornillos de 3/8-16. (Vea Figura 6)
- Coloque la lámpara contra el bloque adaptador
- Instale el tornillo de 3/8, la arandela de seguridad, y la arandela en la parte superior como se muestra y ajuste al bloque adaptador. (Vea Figura 7)
- Abra la puerta del brazo e instale el tornillo de 3/8 al orificio roscado del bloque adaptador. (Vea Figura 7)
- Aplique 25-32 libras por pie (34-43 N-m) de torque a los tornillos superiores e inferiores
- Inspeccione la instalación para asegurarse que el equipo este firmemente sujeto.

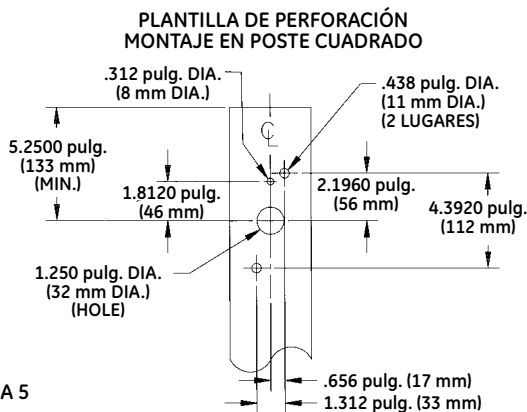


FIGURA 5

### PLACA ADAPTADORA PARA POSTE CUADRADO

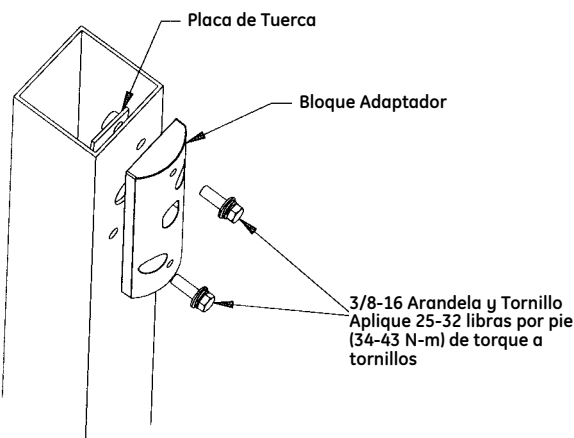


FIGURE 6

### BRAZO DE LÁMPARA PARA ADAPTADOR DE BRAZO

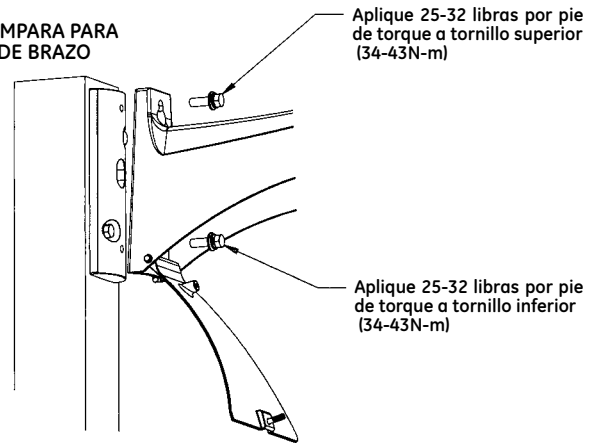
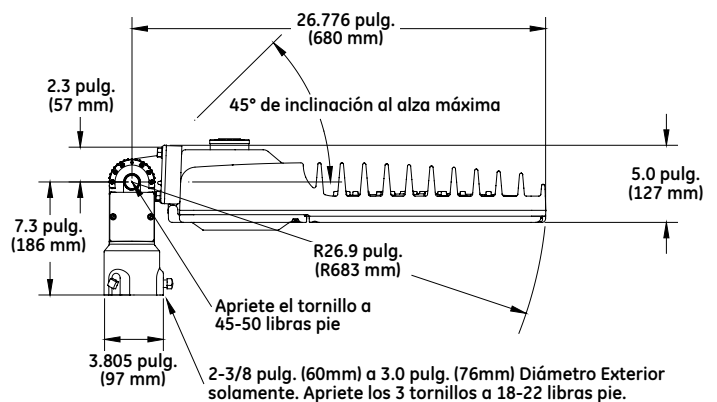


FIGURA 7

### 3d Vástago Desmontable Articulado para un acoplamiento de diámetro exterior de 2-3/8 pulg. (60mm) a 3.0 pulg. (76mm).

Esta luminaria ha sido configurada específicamente para ser posicionada de una manera vertical de 0° a 45° en incrementos de 5° y montada en un tubo de 2-3/8-pulg. de diámetro exterior. (73mm) a 3-pulg. de diámetro exterior. (76mm).

- Coloque el vástago desmontable en el acoplamiento.
- Los tres tornillos se usan para ajustar la lámpara seguramente al tubo. Apriete los tornillos con un torque de 18-22 libras pies (24-30 N-m).
- Para inclinar la luminaria, desatornille el perno de la articulación, ajuste la inclinación de 0 a 45°, y apriete a 45-50 libras pie (61-68 N-m).
- Inspeccione la instalación para corroborar que la instalación es segura.



## 4 CABLEADO

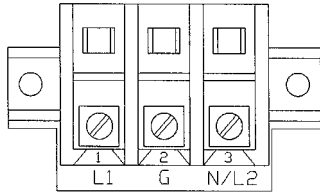
### PRECAUCIÓN

**Riesgo de lesiones o daño:** Puerta debe de estar cerrada con tornillo hasta que el aparato esté en su posición final.

- **NOTA:** Todas las conexiones eléctricas deberán realizarse de acuerdo con el Código Eléctrico Nacional y conforme a códigos locales correspondientes.
- Liberación de tensión debe de ser proporcionado por el usuario para la fuente de poder en el poste.
- Proporcione el tipo y tamaño de cable para la conexión del usuario a la placa terminal: 16 AWG (1.5mm<sup>2</sup>) a 6 AWG (10mm<sup>2</sup>) Sólido o Trenzado.

#### Conexiones de Placa Terminal:

Posición de Placa Terminal	Tipo de Suministro
L1	Línea Alta
G	Puesta a Tierra
N/L2	Línea Baja/Neutro



- **NOTA:** Verifique que el voltaje de alimentación sea correcto comparándolo con la placa del fabricante localizada dentro de la puerta o en la caja.

#### Control Fotoeléctrico:

- (Si la opción está presente)—Receptáculo de control fotoeléctrico debe de ser orientado antes de instalar el control.
- Afloje los dos tornillos sujetadores y gire el receptáculo hasta que el "norte" se dirija lo más posible al norte real.
- Verifique que el anillo debajo del receptáculo PE esté fijo y que no hay ningún espacio que deje entrar agua al aparato por debajo del receptáculo PE.
- Apriete los tornillos sujetadores e instale el control.

#### Conexión Eléctrica:

- Conecte los conectores de cable de la luminaria al cable de suministro.
- Conexiones deberán de ser hechas en el interior del poste.
- Reemplace la tapa del poste. Diagrama de cableado está como referencia en la etiqueta dentro de la luminaria
- Para las unidades sin conectores, las conexiones pueden ser hechas en la placa terminal dentro del aparato.
- Tenga cuidado de no pellizcar los conectores de cable entre la puerta y la caja al cerrar la puerta.

#### Control Regulador de Intensidad Externo (Si aplica):

- Conector Gris = OVDC (-)
- Conector Violeta = Hasta 10VDC (+)

Entrada/Salida de Regulador de Intensidad		
Control de Voltaje <sup>1</sup>	Bajo (0-1.25V)	Alto (7.5-10V)
Entrada Nominal de Potencia <sup>2</sup>	10% de Máximo	100%
Salida Nominal de Lumen <sup>2</sup>		

- <sup>1</sup> Transición lineal entre alto y bajo
- <sup>2</sup> Tolerancia de componente y sistema puede afectar los niveles finales y la linealidad de transición

Estas instrucciones no pretenden cubrir todos los detalles o variaciones de equipo, ni cada posible contingencia encontrada en conexión a la instalación, operación o mantenimiento. Si más información es requerida ó ciertos problemas particulares surgen, los cuales no son abarcados suficientemente para los requerimientos del comprador, el asunto debe de ser referido a GE Iluminación.

#### Control Regulador de Intensidad PE (Si aplica):

- Ninguna conexión externa para regular la intensidad son requeridas cuando el Control Regulador de Intensidad PE de GE y el Receptáculo del Regulador de Intensidad PE de GE son usados.
- Todas las conexiones de regulación de intensidad serán hechas entre el regulador de intensidad PE y la luminaria a través del receptáculo PE incluido.
- Consulte las instrucciones incluidas en el Control Regulador de Intensidad PE de GE en cuanto a la configuración adecuada para el control regulador de intensidad.

#### Sensor de Presencia (opcional):

- El sensor de presencia programable se envía con un programa estándar el cual puede ser modificado usando el botón en el sensor.
- El sensor tiene incluido un set de instrucciones de programación por separado.

## 5 MANTENIMIENTO/LIMPIEZA

### ⚠ ADVERTENCIA

**Riesgo de descarga eléctrica:** Desconecte la fuente de energía antes de dar mantenimiento.

- Para mantener la alta eficiencia del lente, limpieza ocasional de la superficie exterior del lente puede ser necesaria y su frecuencia dependerá de las condiciones locales.
- Use un detergente o jabón suave, con un pH neutro, no abrasivo y que no contenga hidrocarburos aromatizantes o con cloro.
- Lave a fondo, usando un paño suave.
- Enjuague con agua fría y limpia y seque.

## 6 ALMACENAMIENTO

- Antes de su instalación, las unidades no deben de ser almacenadas a la intemperie solo en cajas (cajas de cartón) corrugadas.
- Todas las unidades deben de ser almacenadas en un área seca y cubierta hasta que sean instaladas. El área de almacenamiento no deberá de exceder -40°C (-40°F) a 50°C (122°F).
  - Éste puede ser preferiblemente en un área techada o con una lona que proteja a las cajas corrugadas (cajas de cartón) contra el agua.



GE Lighting • 1-888-MY-GE-LED (1 - 888 - 69 - 43 - 533) • [www.gelighting.com](http://www.gelighting.com)

GE Lighting es una subsidiaria de la Compañía General Electric. Evolve y la marca y logotipo de GE son marcas registradas de la Compañía General Electric. ©2014 GE Lighting. La información se encuentra sujeta a cambio sin previo aviso. Todos los valores son de diseño, o valores típicos al momento de ser medidos bajo condiciones de laboratorio.